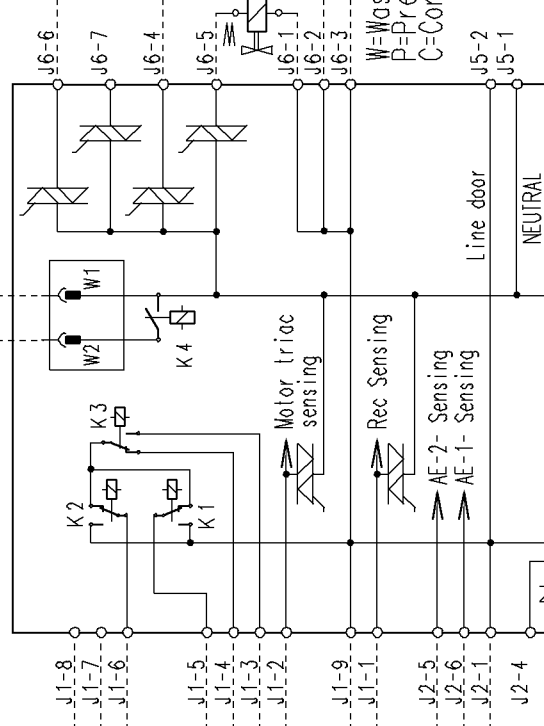
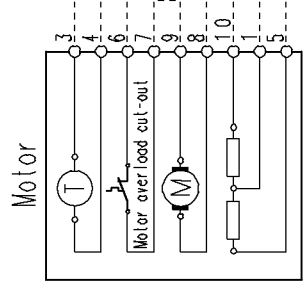
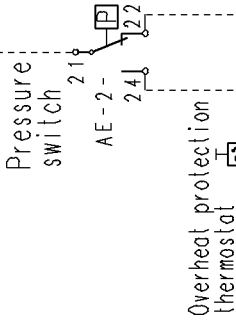


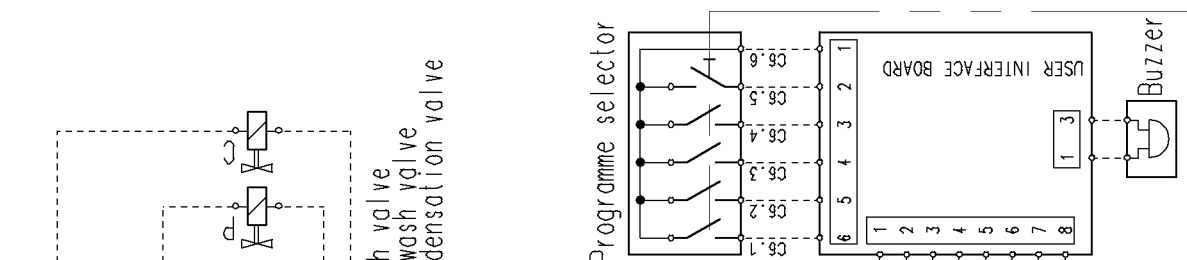
Anti-interference filter

Programme selector

Door safety interlock



W=Wash valve
 P=Prewash valve
 C=Condensation valve



MAIN ELECTRONIC BOARD

