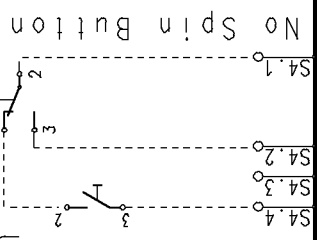
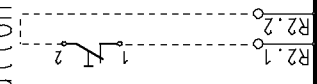


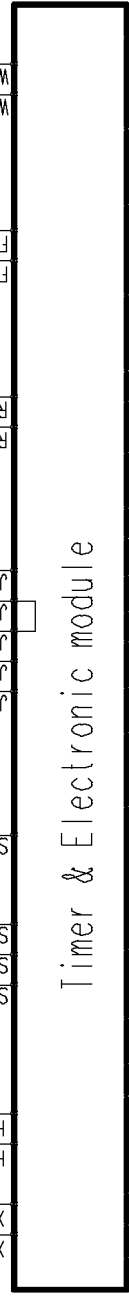
Spin reduction button
Rinse Hold Button
Super Rinse button



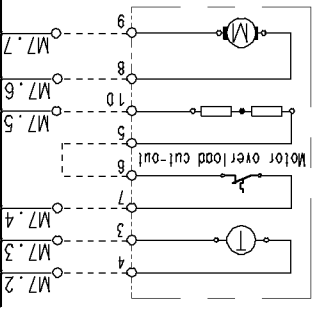
No Spin Button



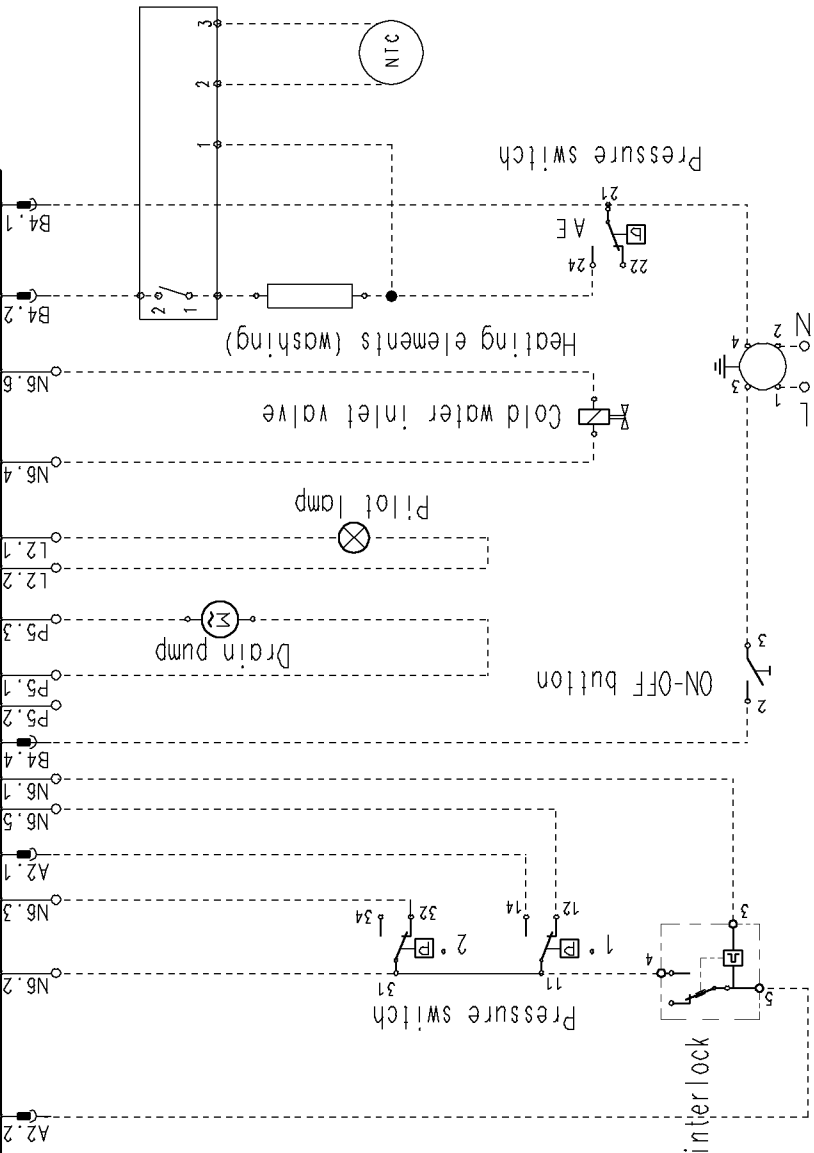
X2.1
X2.2
H2.1
H2.2
S4.4
S4.3
S4.2
S4.1
J5.1
J5.2
J5.3
J5.4
J5.5
R2.1
R2.2
F2.1
F2.2
W2.1
W2.2



Timer & Electronic module



Motor



Adjustable thermostat

Pressure switch

Heating elements (washing)

Cold water inlet valve

Pilot lamp

Drain pump

ON-OFF button

Pressure switch

Door safety interlock

