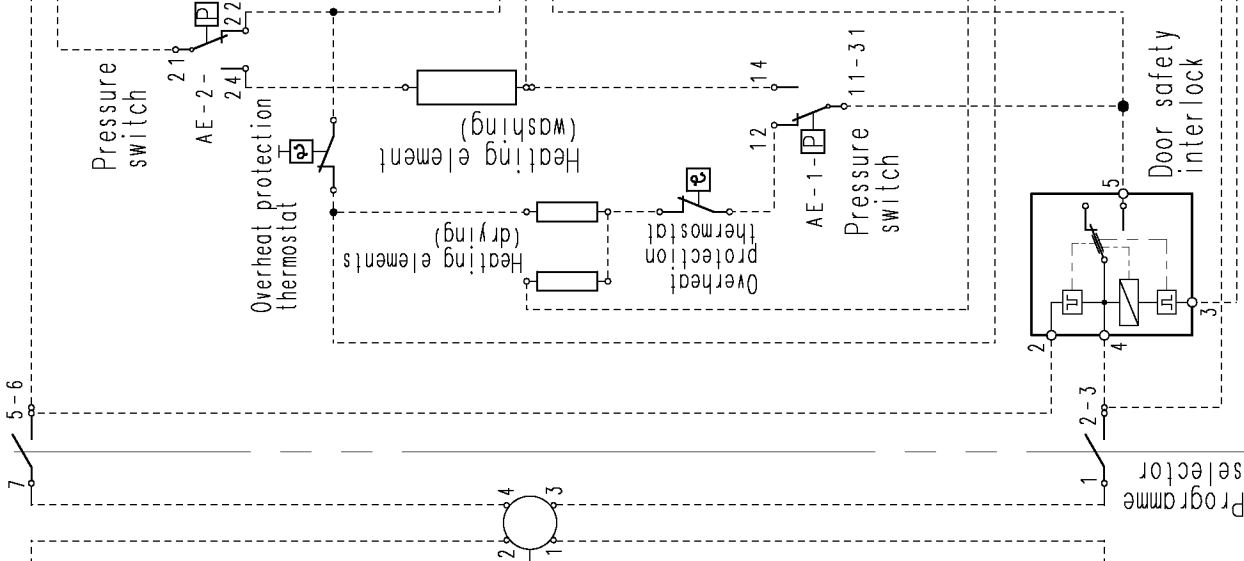
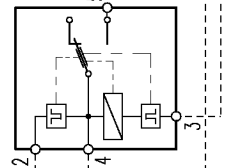


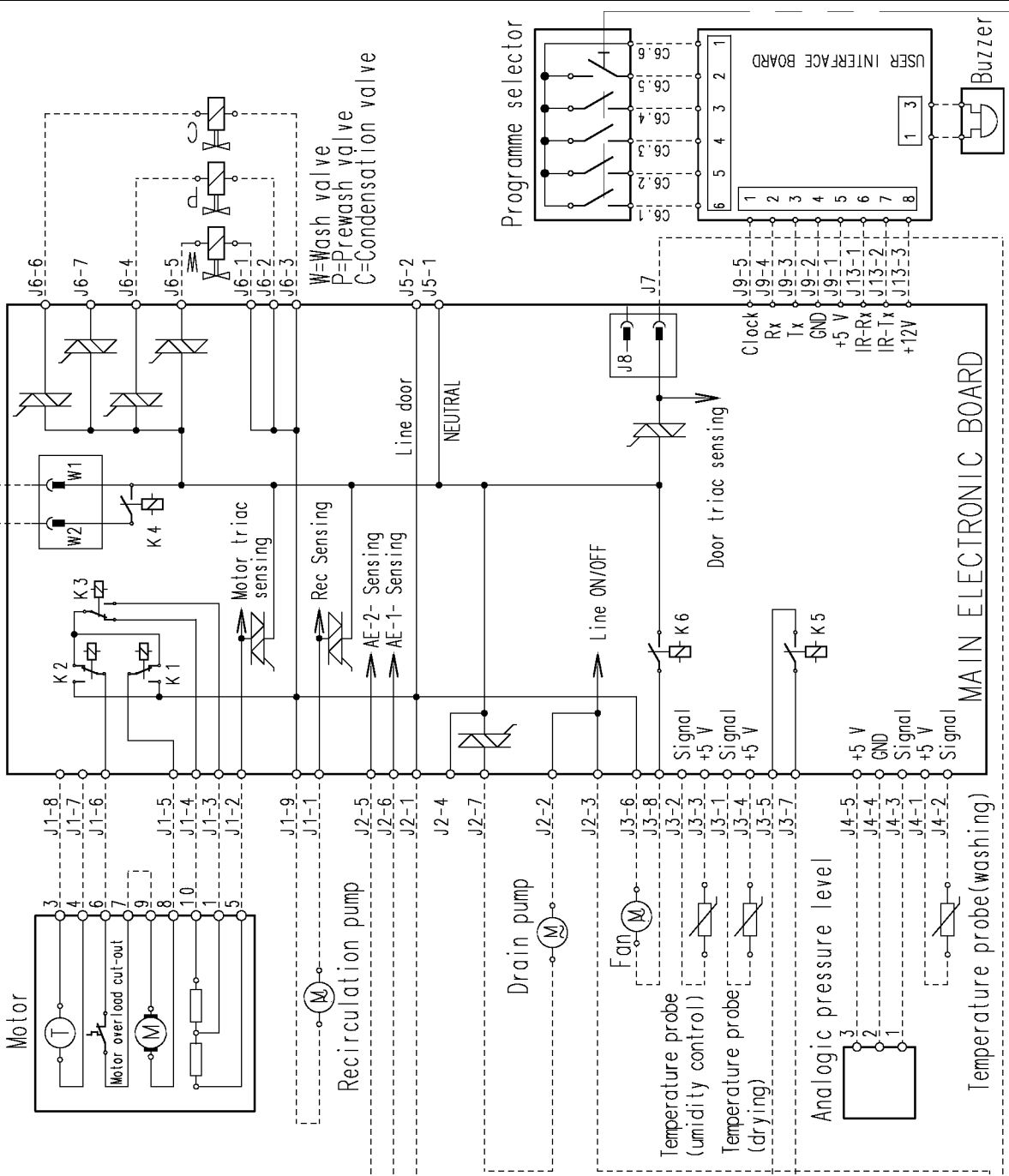
Anti-interference filter



Programme selector

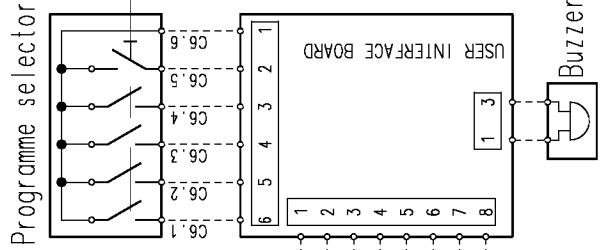


Door safety interlock

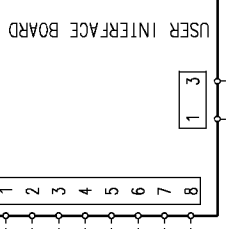


MAIN ELECTRONIC BOARD

W=Wash valve  
P=Prewash valve  
C=Condensation valve



Programme selector



Buzzer