

MAIN ELECTRONIC BOARD

Anti-interference filter

Analogic pressure level

Temperature probe(washing)

Drain pump

Recirculation pump

Motor

Door safety interlock

ON/OFF button

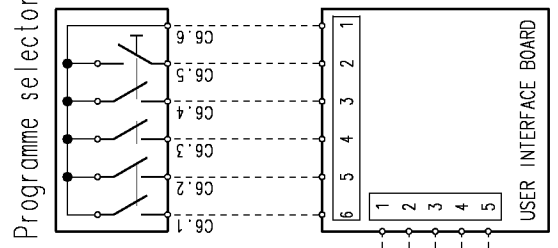
Pressure switch AE-1

Heating element

Pressure switch AE-2

+5 V
GND
Signal
+5 V
Signal

+5 V
GND
Tx
Rx
Clock



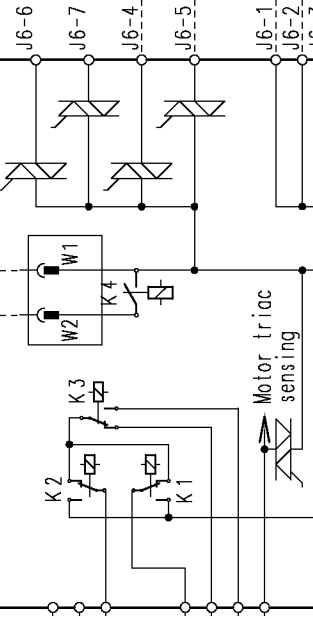
Programme selector

USER INTERFACE BOARD

Door triac sensing

Line door
NEUTRAL

Wash valve
Prewash valve



Motor triac sensing

Rec Sensing

AE-2 Sensing
AE-1 Sensing

Line ON/OFF

J1-8
J1-7
J1-6
J1-5
J1-4
J1-3
J1-2

J2-5
J2-6
J2-1

J2-4
J2-7

J2-2
J2-3

J4-5
J4-4
J4-3
J4-1
J4-2

J6-6
J6-7
J6-4
J6-5
J6-1
J6-2
J6-3

J5-2
J5-1

J7

J8

J9-5
J9-4
J9-3
J9-2
J9-1

C6.6
C6.5
C6.4
C6.3
C6.2
C6.1

1
2
3
4
5
6

T