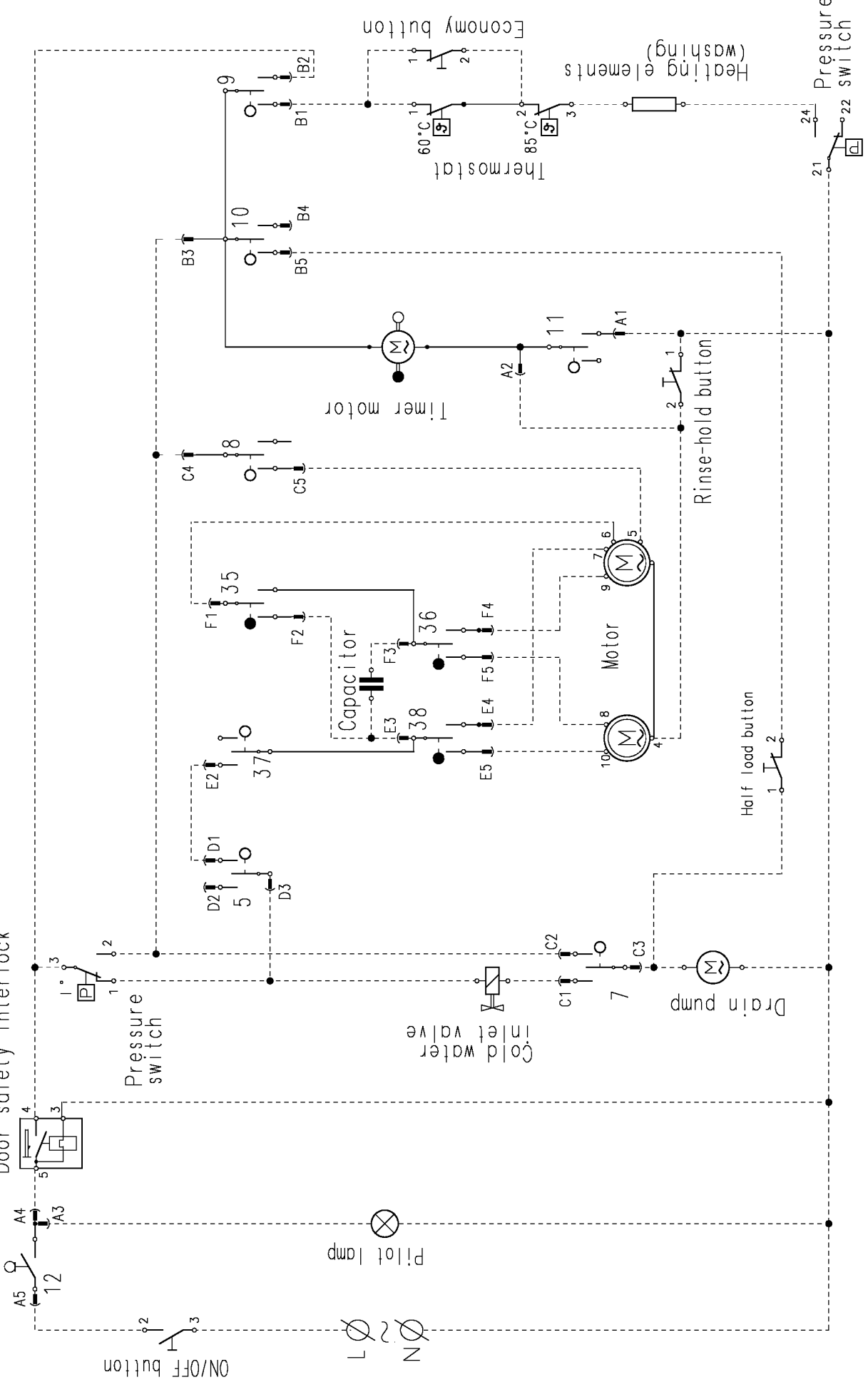


Door safety interlock



Pressure switch

21

22

21

22

21

22

21

22

21

22

21

22

21

22

21

22

21

22

21

22

21

22

21

22

21

22

ON/OFF button

Pilot lamp

L N

Drain pump

7

C2

C3

Cold water inlet valve

Pressure switch

1 2

A5 A4 A3

Door safety interlock

Timer motor

Motor

9 6

7 5

10 4

8

Capacitor

E3 F3

38

E4 F4

36

E5 F5

35

F1 F2

37

E2 F2

D1 D2

5

D3

D1 D2

37

E2 F2

38

E4 F4

36

E5 F5

35

F1 F2

37

E2 F2

D1 D2

5

D3

D1 D2

Rinse-hold button

2 1

A2

11

A1

10

B3

B4

B5

B1

B2

9

60°C

85°C

Thermostat

1 2

1 2

Heating elements (washing)

21

22

Pressure switch

21

22

21

22

21

22

21

22

21

22

21

22