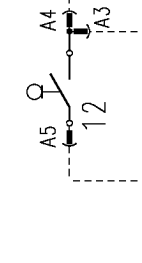
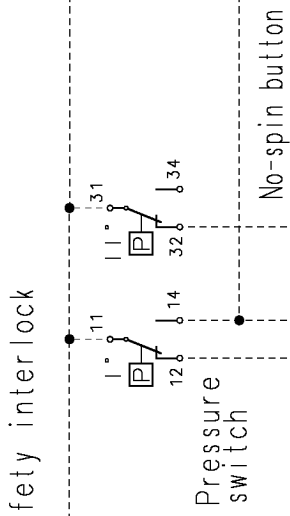


Door safety interlock



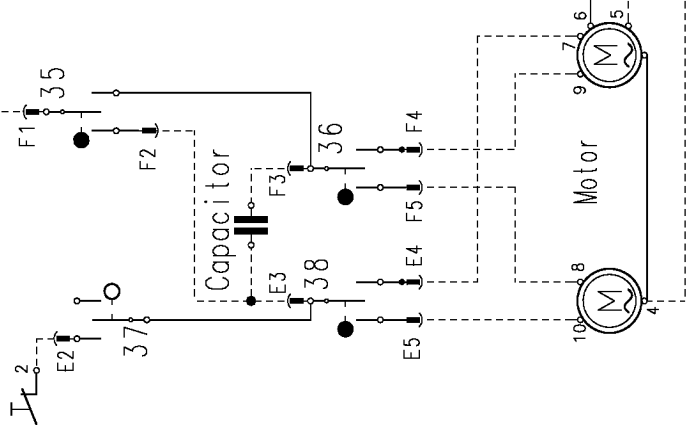
ON/OFF button

Pilot lamp



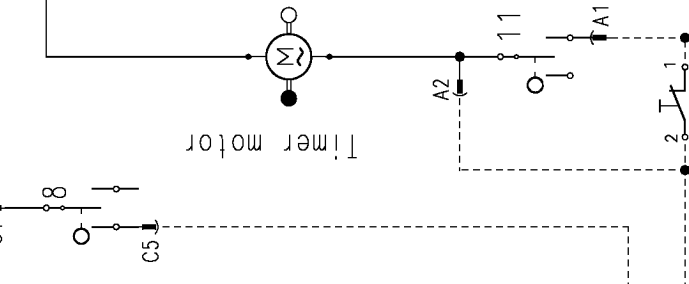
Pressure switch

No-spin button



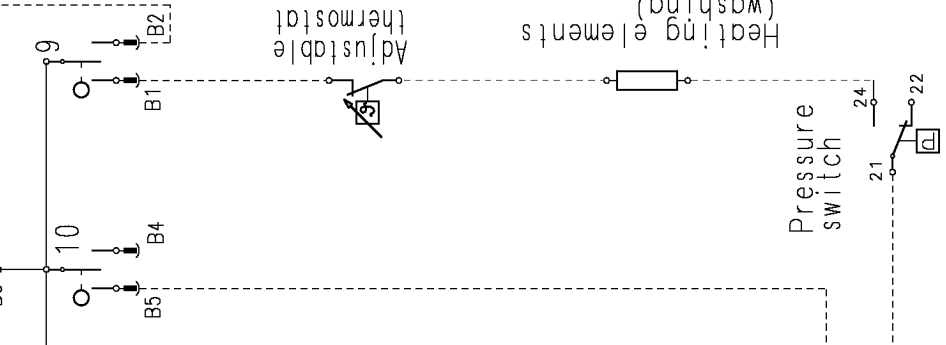
Motor

Half load button



Timer motor

Rinse-hold button



Adjustable thermostat

Heating elements (washing)

Pressure switch