

Anti-interference filter

Programme selector

Door safety interlock

Pressure switch AE-1

Heating element (washing)

Pressure switch AE-2

Analogic pressure level

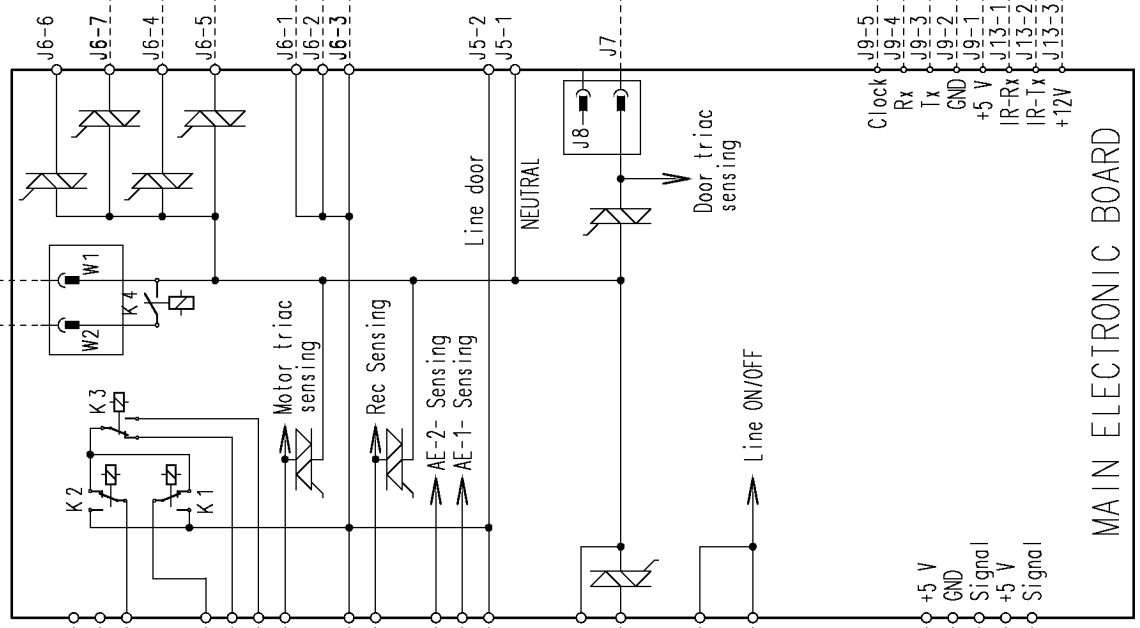
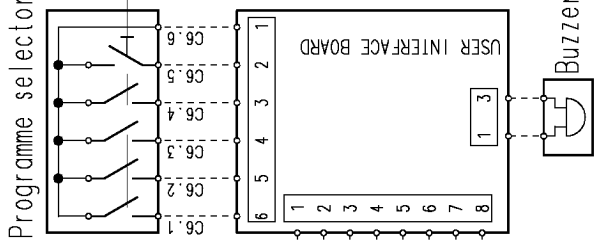
Temperature probe (washing)

Drain pump

Recirculation pump

Motor

MAIN ELECTRONIC BOARD



J9-5 Clock  
 J9-4 Rx  
 J9-3 Tx  
 J9-2 GND  
 J9-1 +5 V  
 J13-1 IR-Rx  
 J13-2 IR-Tx  
 J13-3 +12V

