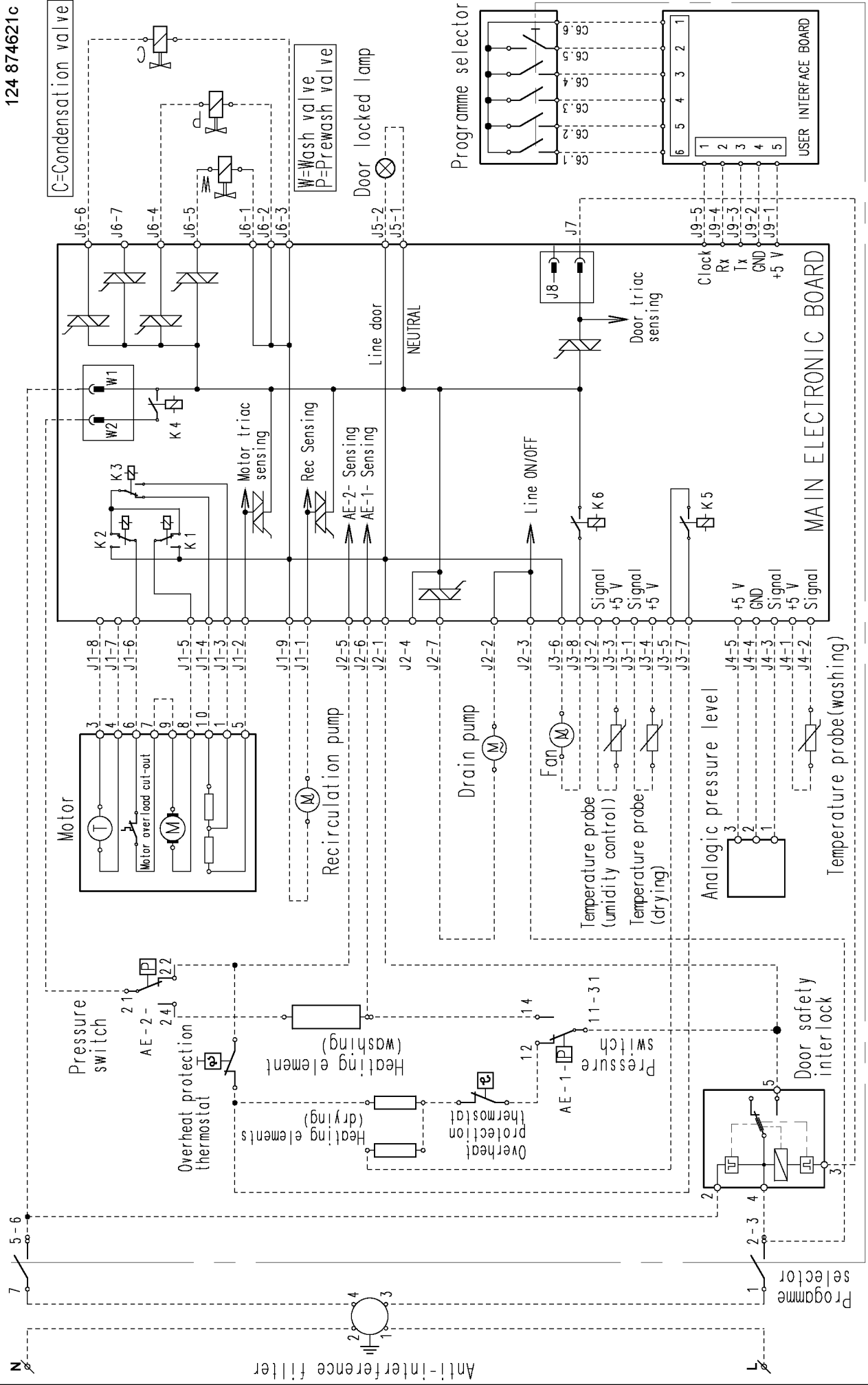
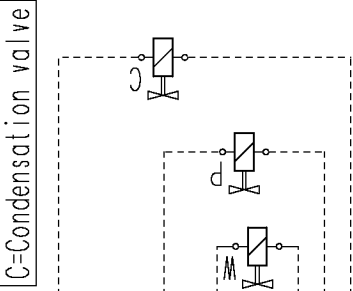
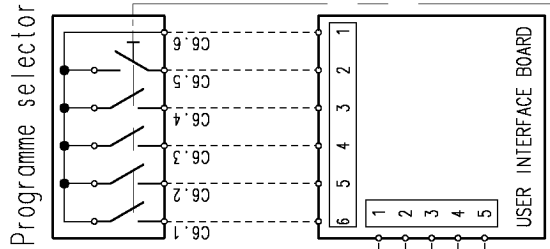


Anti-interference filter



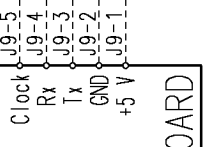
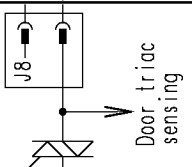
MAIN ELECTRONIC BOARD



W=Wash valve
P=Prewash valve

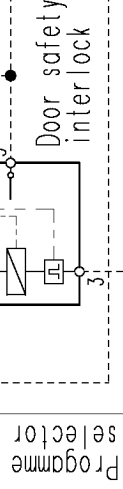
Door locked lamp

Line door
NEUTRAL



Analogic pressure level

Temperature probe (washing)



Door safety interlock

Temperature probe (humidity control)

Temperature probe (drying)

Recirculation pump

Drain pump

Fan

Pressure switch

Heating element (washing)

Overheat protection thermostat

Heating elements (drying)

Pressure switch

Motor

Motor over load cut-out

Motor triac sensing

Rec Sensing

AE-2- Sensing

AE-1- Sensing

Line ON/OFF

Signal +5 V

Signal +5 V

+5 V

GND

Signal +5 V

Signal +5 V

Clock

Rx

Tx

GND

+5 V

USER INTERFACE BOARD

Programme selector

