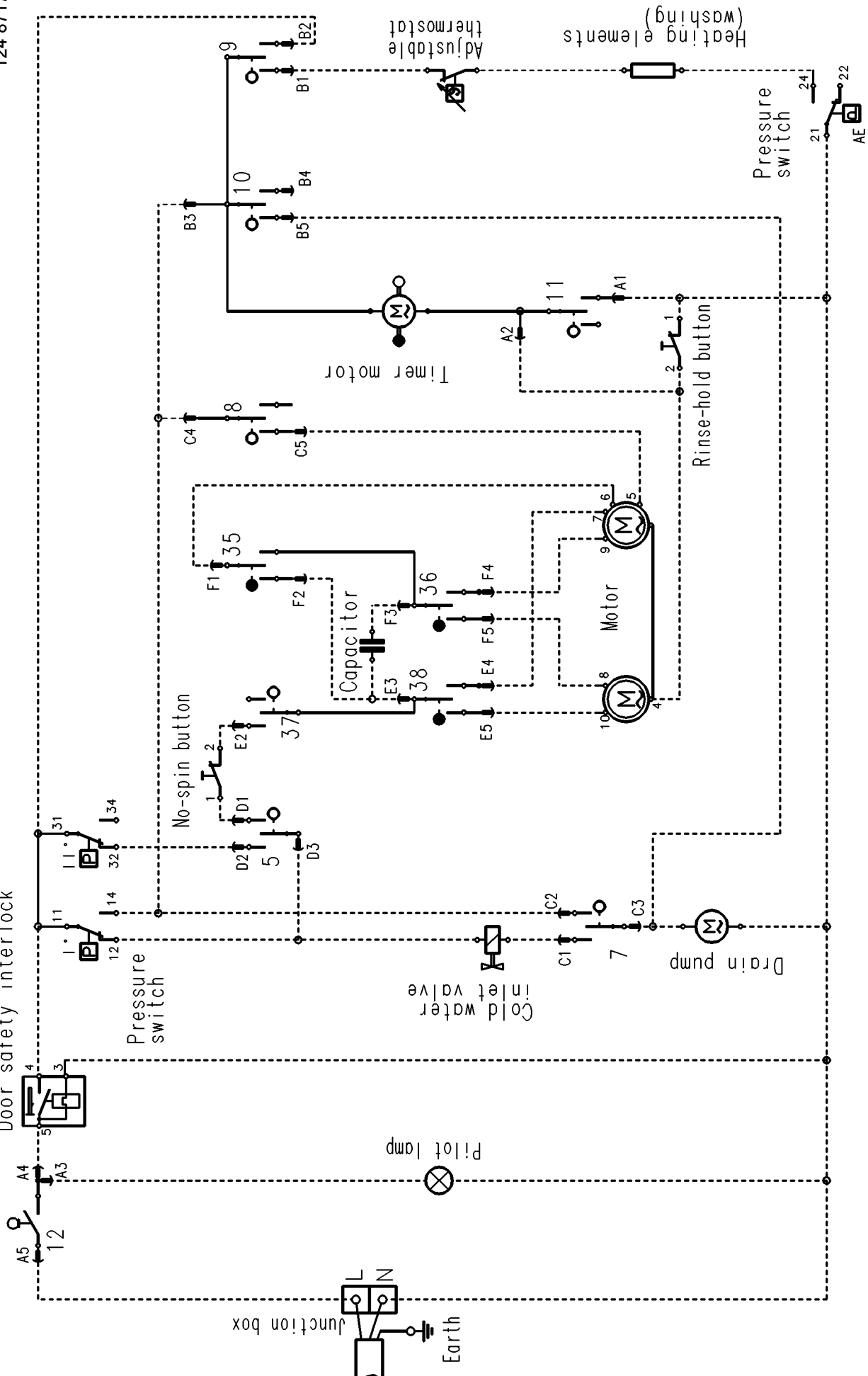


Door safety interlock



Junction box  
Earth

Pilot lamp

Pressure switch

No-spin button

Capacitor

Drain pump

Motor

Timer motor

Rinse-hold button

Pressure switch

Heating elements (washing)

Adjustable thermostat