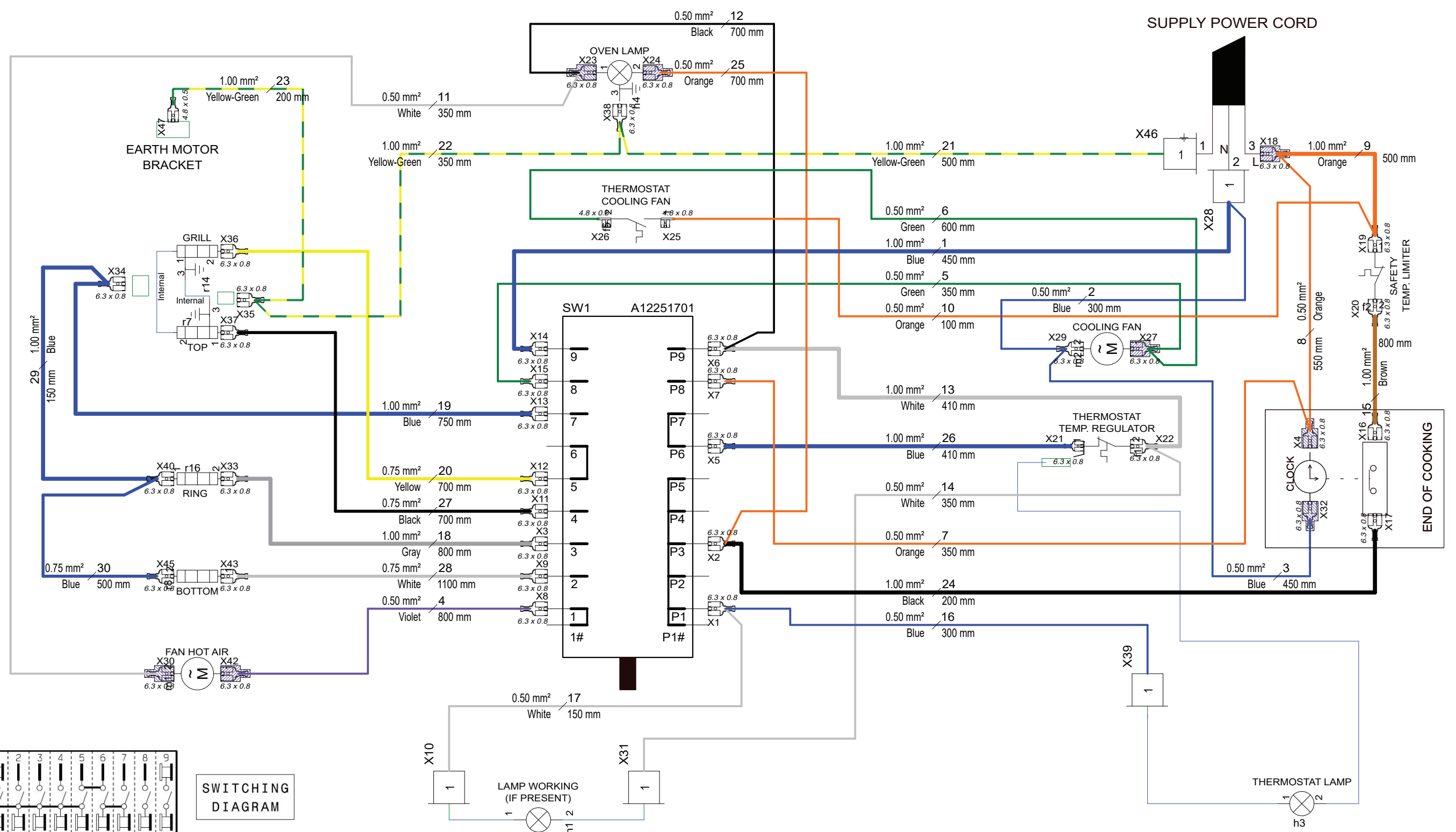


SUPPLY POWER CORD



SWITCHING DIAGRAM

POSITIONS	SWITCHING DIAGRAM									FUNCTIONS	
	1	2	3	4	5	6	7	8	9		
0	X					X				0°	∠
1						X	X	X		36.00°	∠
2	X	X				X	X	X		72.00°	∠
3	X		X		X	X	X	X		108.00°	∠
4		X				X	X	X		144.00°	∠
5				X		X	X	X		180.00°	∠
6			X	X		X	X	X		216.00°	∠
7	X		X	X		X	X	X		252.00°	∠
8	X	X		X		X	X	X		288.00°	∠
9	X	X		X		X	X	X		324.00°	∠