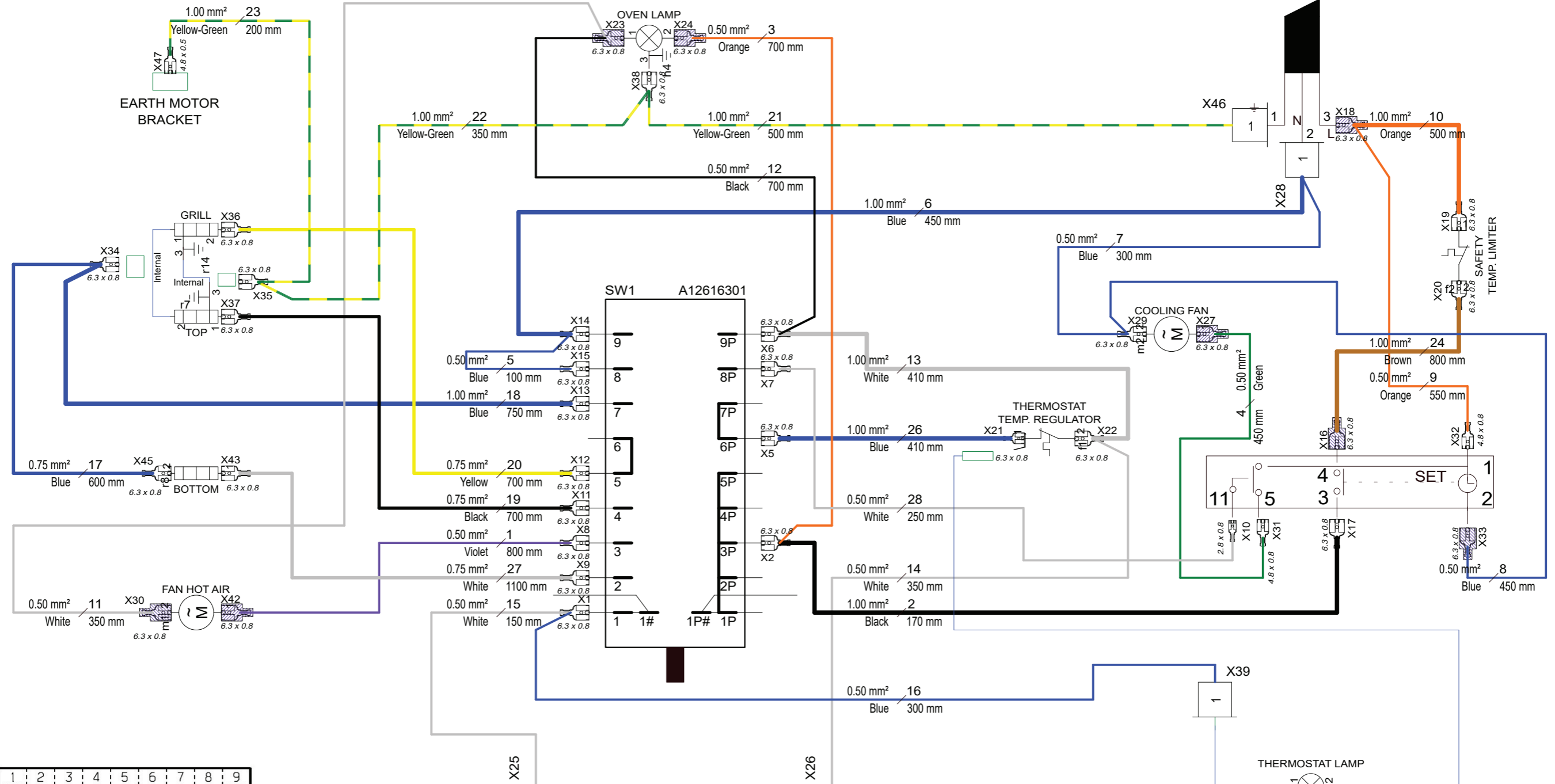


SUPPLY POWER CORD



SWITCHING DIAGRAM

POSITIONS	SWITCHING DIAGRAM									FUNCTIONS	
	1	2	3	4	5	6	7	8	9		
0										0° ∠	
1	X	X	X	X			X	X	X	60.00° ∠	*
2	X		X	X		X		X	X	120.00° ∠	ECO
3	X	X		X			X	X	X	180.00° ∠	
4	X			X	X		X	X	X	240.00° ∠	
5	X	X	X		X		X	X	X	300.00° ∠	*