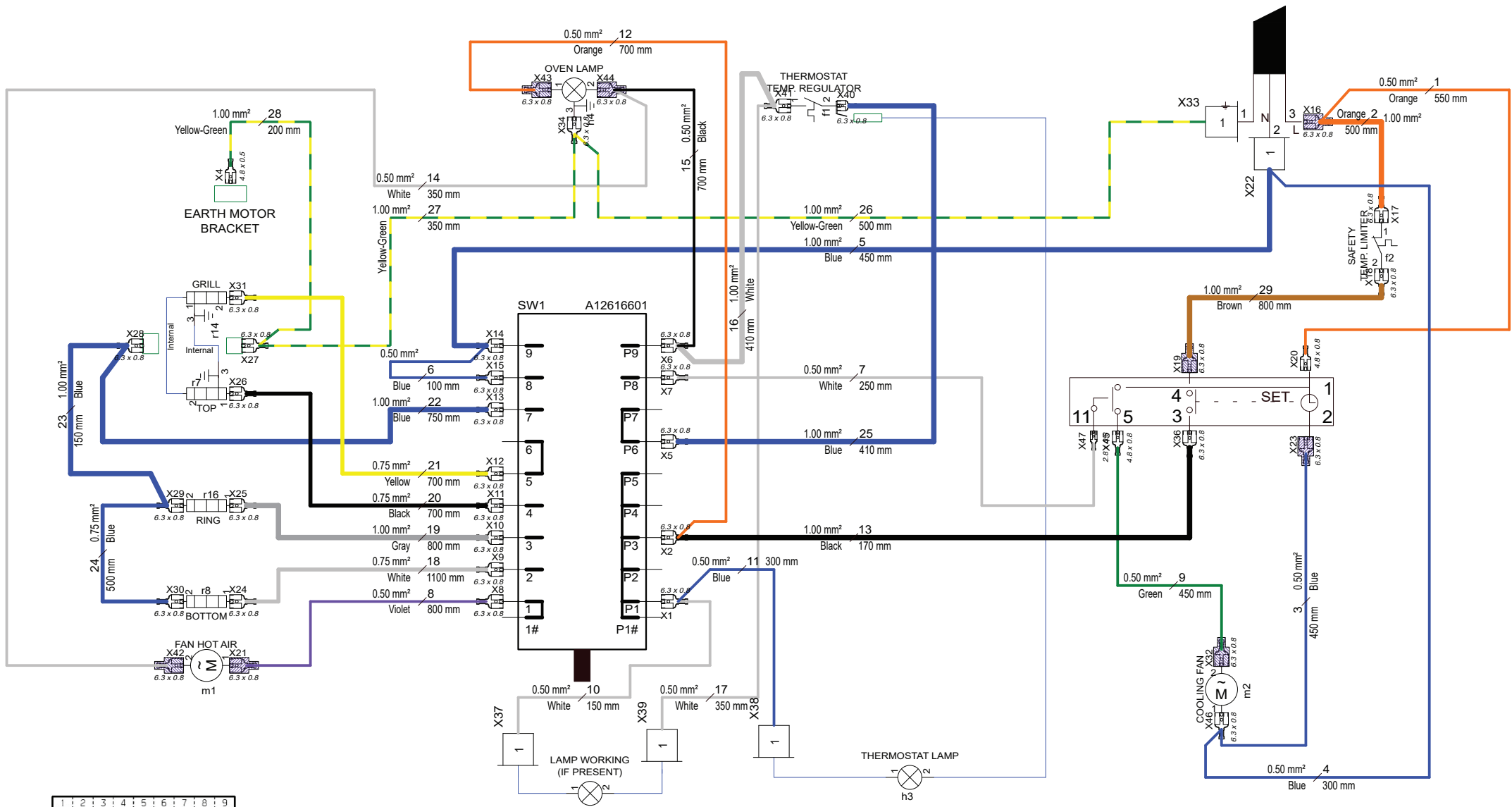


SUPPLY POWER CORD



**SWITCHING DIAGRAM**

POSITIONS	1	2	3	4	5	6	7	8	9	FUNCTIONS
0		X				X				0° ∠
1						X	X	X		40,00° ∠
2	X		X			X	X	X		80,00° ∠
3	X			X		X	X	X		120,00° ∠ ECO
4		X				X	X	X		160,00° ∠
5	X					X	X	X		200,00° ∠
6				X	X	X	X	X		240,00° ∠
7	X	X		X		X	X	X		280,00° ∠
8		X	X			X	X	X		320,00° ∠