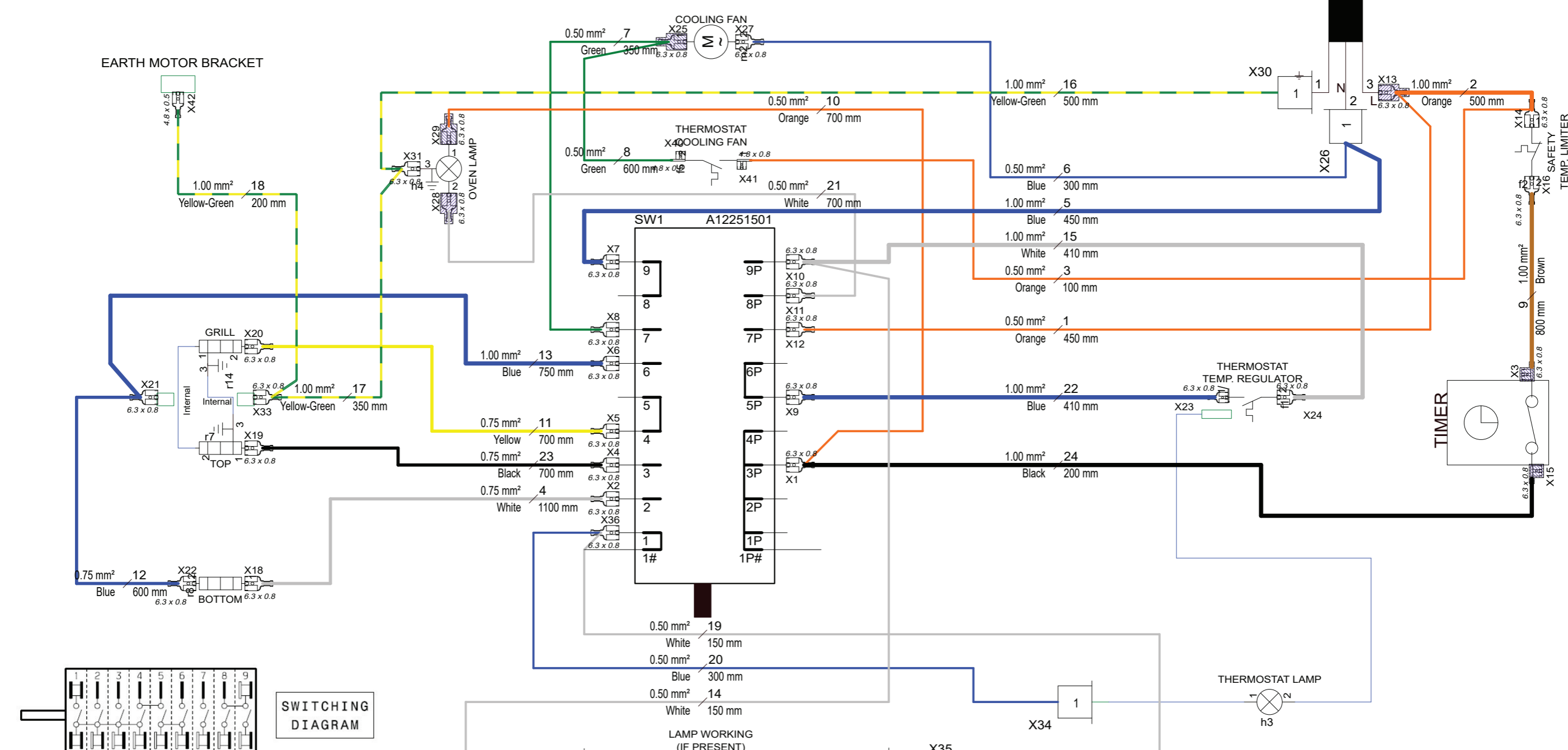


SUPPLY POWER CORD



SWITCHING DIAGRAM

POSITIONS	SWITCHING DIAGRAM									FUNCTIONS	
	P1	P2	P3	P4	P5	P6	P7	P8	P9		
0										0°	
1	X	X			X	X	X	X		60.00°	
2	X		X		X	X	X	X		120.00°	
3	X		X	X	X	X	X	X		180.00°	
4	X	X	X		X	X	X	X		240.00°	
5	X	X	X	X	X	X	X	X		300.00°	ECO
-											
-											
-											
-											