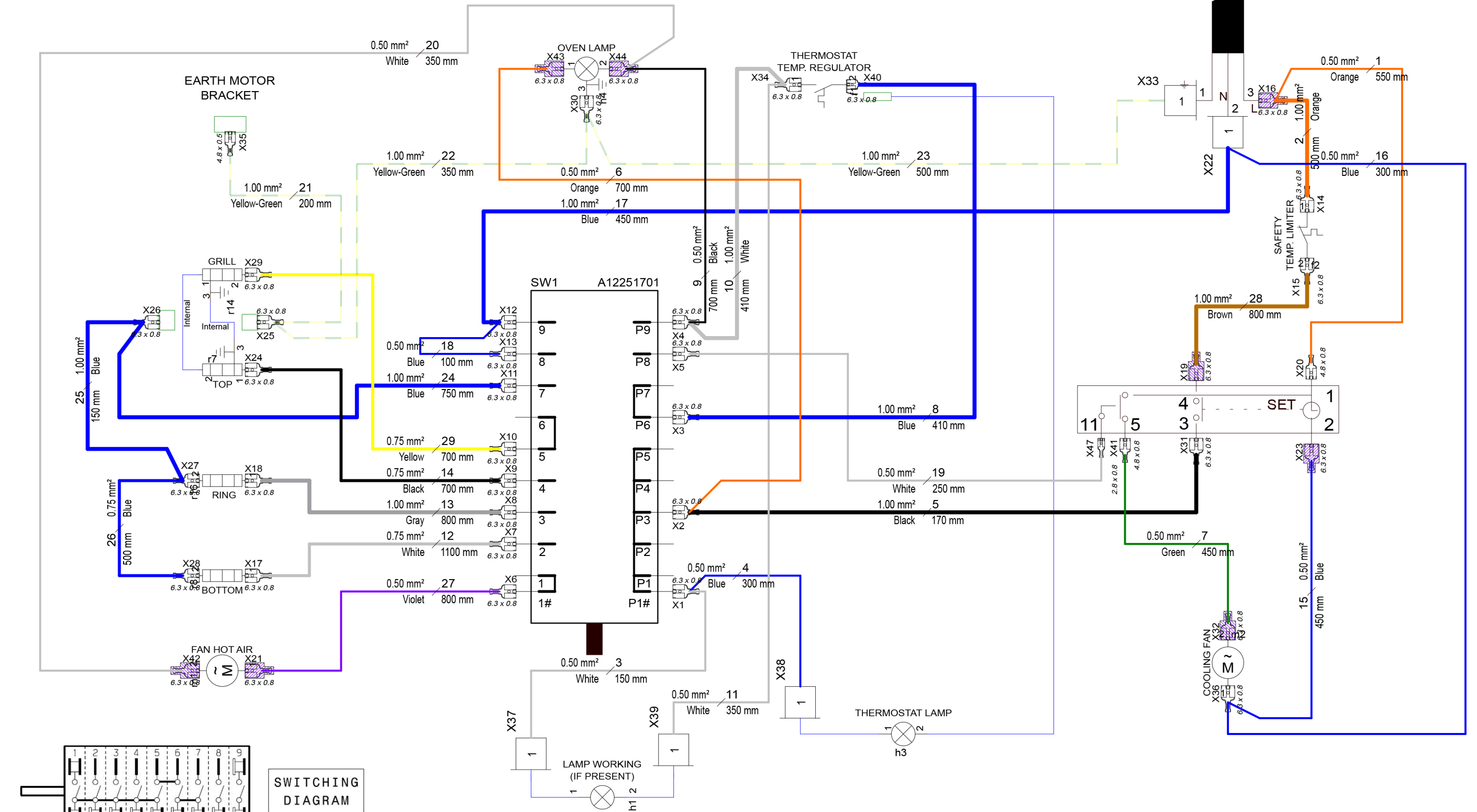


SUPPLY POWER CORD



**SWITCHING DIAGRAM**

| POSITIONS | 1 | 2 | 3 | 4 | 5 | 6 | 7 | 8 | 9 | FUNCTIONS     |
|-----------|---|---|---|---|---|---|---|---|---|---------------|
| 0         | X |   |   |   |   |   |   | X |   | 0° ∠          |
| 1         |   |   |   |   |   |   | X | X | X | 36.00° ∠      |
| 2         | X |   | X |   |   |   | X | X | X | 72.00° ∠      |
| 3         | X |   |   | X |   | X | X | X | X | 108.00° ∠ ECO |
| 4         |   | X |   |   |   |   | X | X | X | 144.00° ∠     |
| 5         |   |   |   |   | X |   | X | X | X | 180.00° ∠     |
| 6         |   |   |   | X | X |   | X | X | X | 216.00° ∠     |
| 7         | X |   | X | X |   | X | X | X | X | 252.00° ∠     |
| 8         | X | X |   | X |   | X | X | X | X | 288.00° ∠     |
| 9         | X | X |   |   | X | X | X | X | X | 324.00° ∠     |