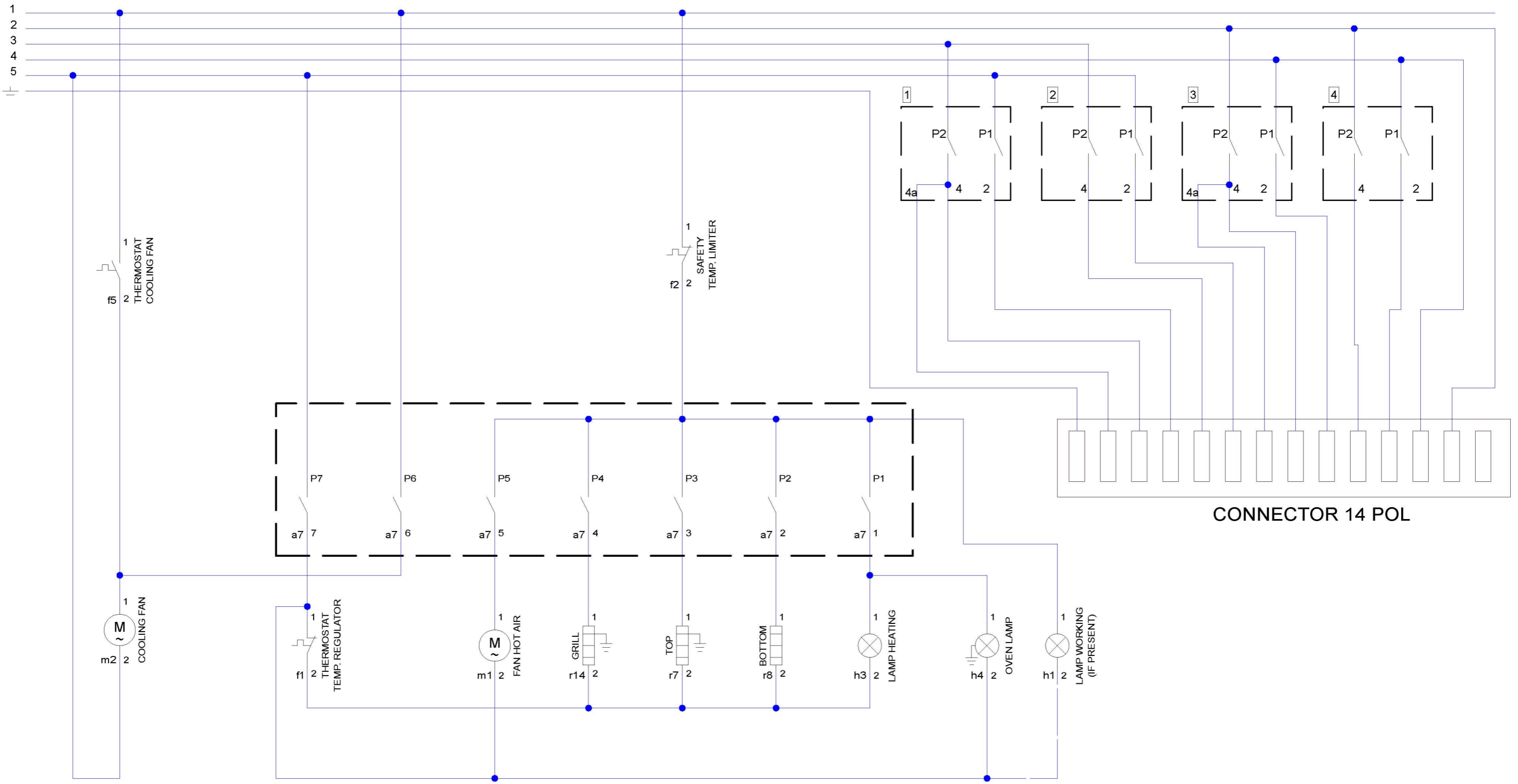


# A11889001



a7: FUNCTIONS SELECTOR WITH ELECTROLUX  
PART NUMBER 807179501