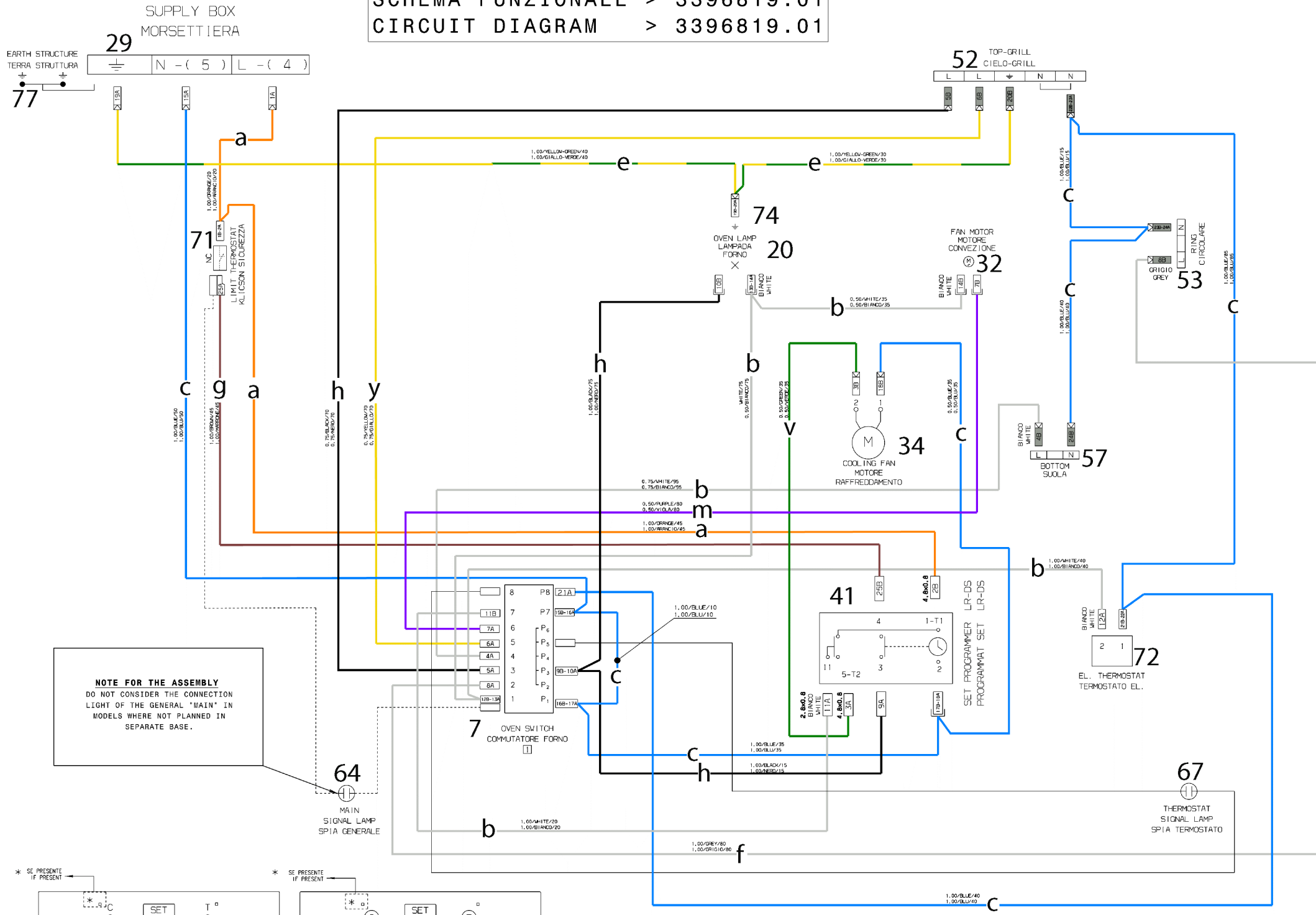


3396819.02

SCHEMA FUNZIONALE > 3396819.01
CIRCUIT DIAGRAM > 3396819.01



NOTE FOR THE ASSEMBLY
DO NOT CONSIDER THE CONNECTION
LIGHT OF THE GENERAL "MAIN" IN
MODELS WHERE NOT PLANNED IN
SEPARATE BASE.

