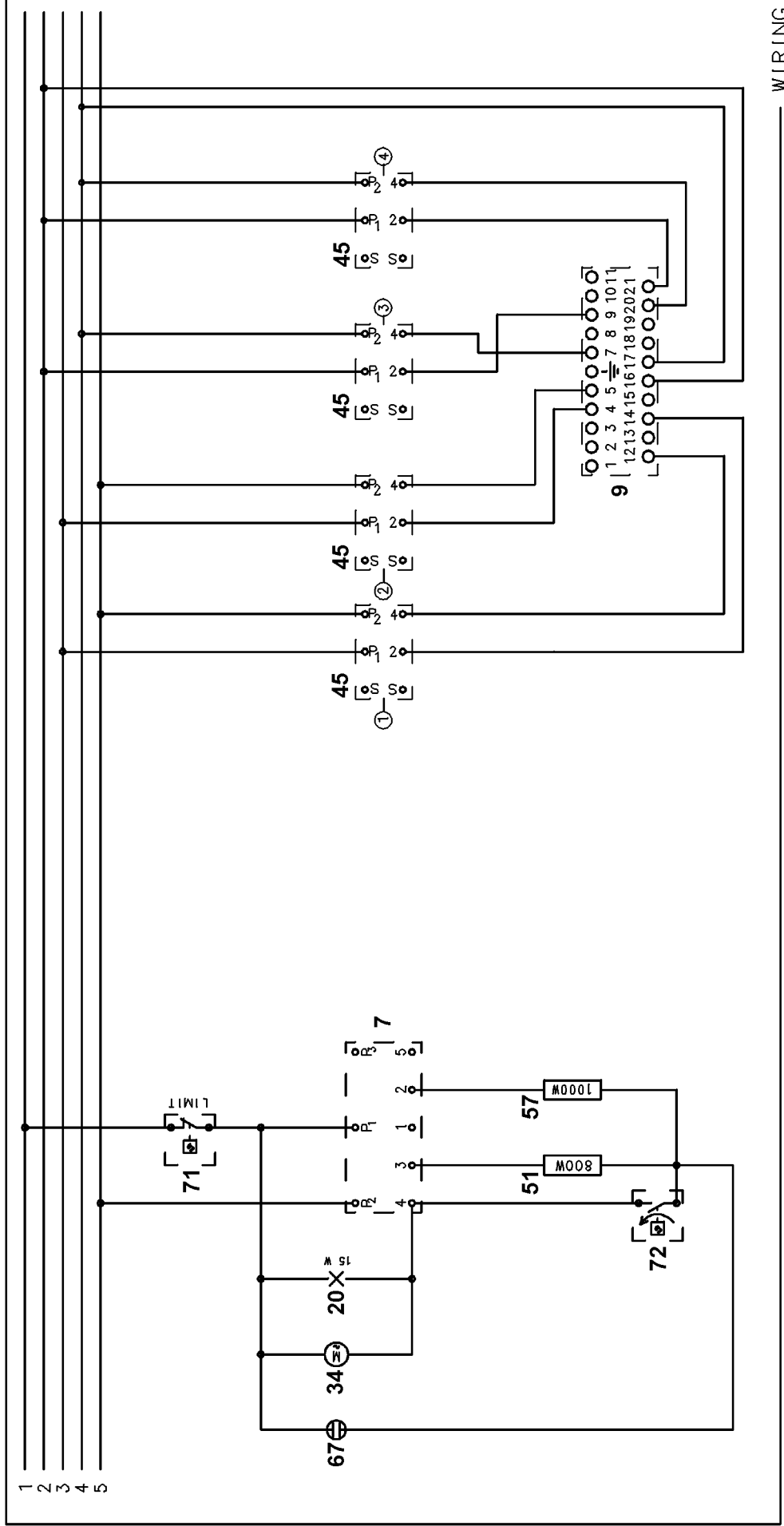


OVEN SWITCH	0	72	144	216	288
4 - P2					
3 - P1					
1 - P1					
2 - P1					
5 - P3					

ENERGY REGULATOR	2	3	4	5
POSITION	0	1		
S	0	S		
P ₂	0	4		
P ₁	0	1		



WIRING