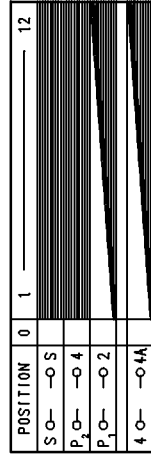
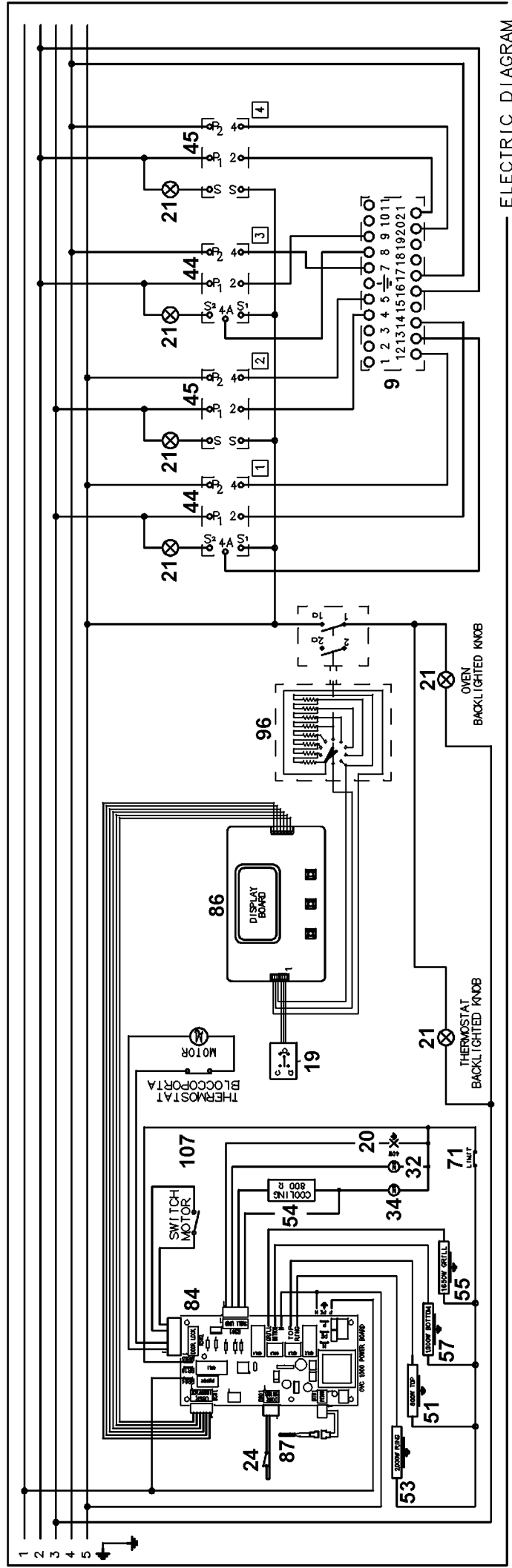
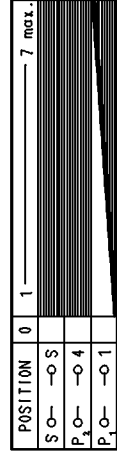


DOUBLE ENERGY REGULATOR [1] [3]



SINGLE ENERGY REGULATOR [2] [4]



ELECTRIC DIAGRAM