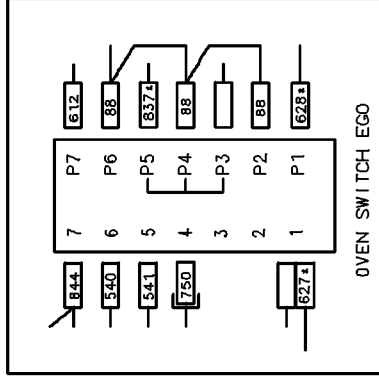


OVEN SWITCH

	0	72	144	216	288
7 - 7α					
6 - 6α					
5 - 4α					
4 - 4α					
3 - 4α					
2 - 2α					
1 - 1α					



ENERGY REGULATOR ②③④

POSITION	0	1	7 max.
S	→ S		
P ₂	→ 4		
P ₁	→ 1		

DOUBLE ENERGY REGULATOR ①

POSITION	0	1	12
S	→ S		
P ₂	→ 4		
P ₁	→ 2		
4	→ 4A		

