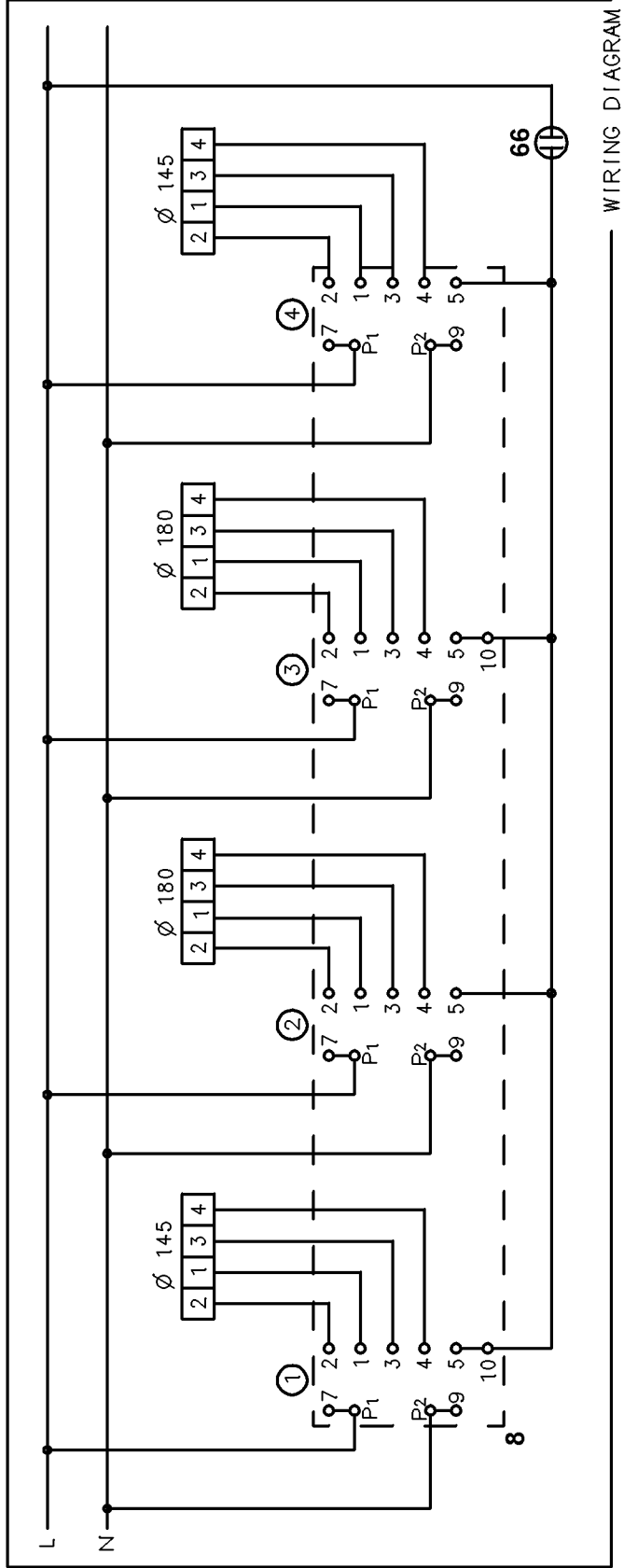
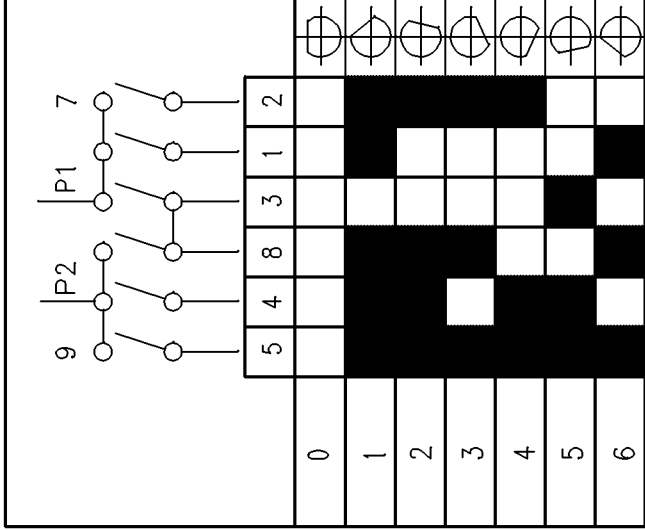


PLATE SWITCH



WIRING DIAGRAM