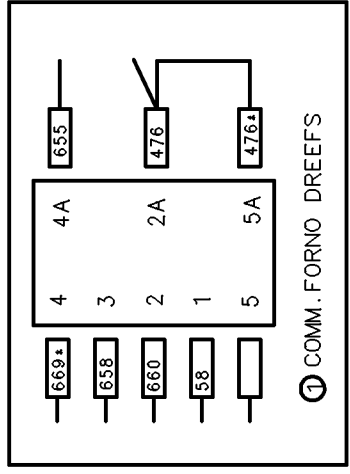


SCHEMA ELETTRICO



OVEN SWITCH ①

OVEN	8	60*	240	270	300	330	
POS.	0	30	60	240	270	300	330
4-P2							
3-P1							
1-P1							
2-P1							
5-P3							

357 660502a