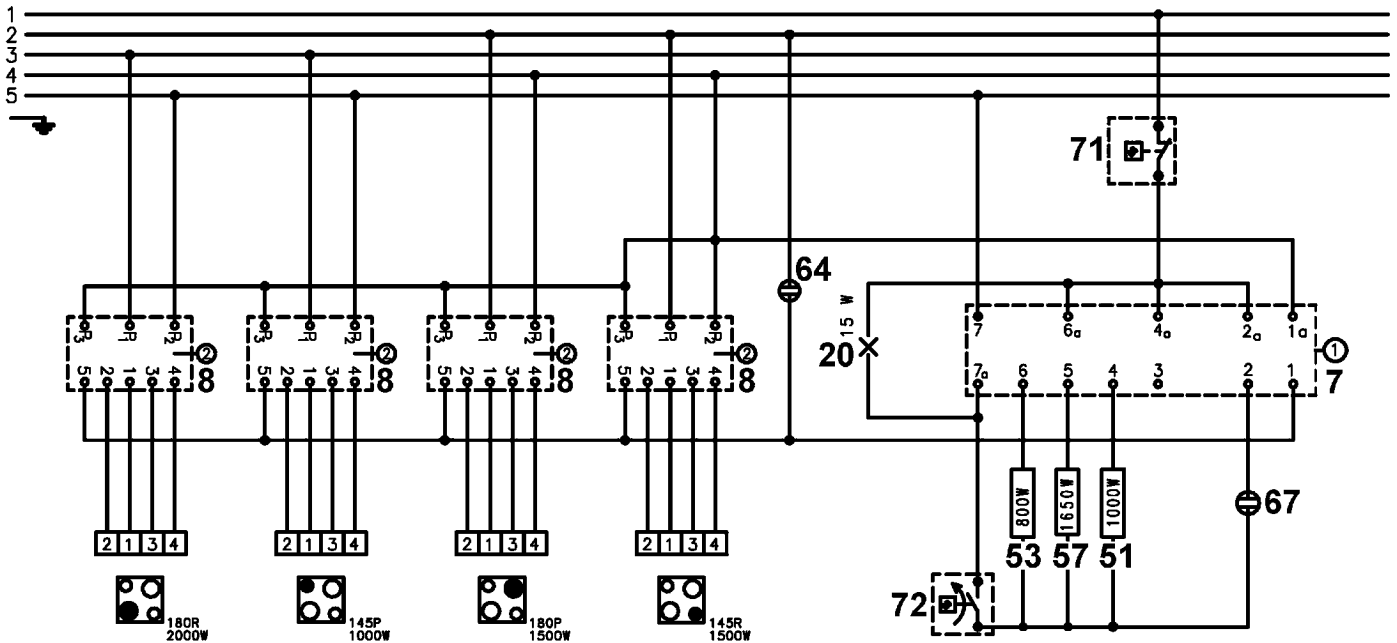


OVEN SWITCH ①

	0	72	144	216	288
7 - 7a					
6 - 6a					
5 - 4a					
4 - 4a					
3 - 4a					
2 - 2a					
1 - 1a					

PLATE SWITCH ②

POS	0	6	5	4	3	2	1
4 - P2							
3 - P2							
3 - P1							
1 - P1							
2 - P1							
5 - P3							



357 621902a