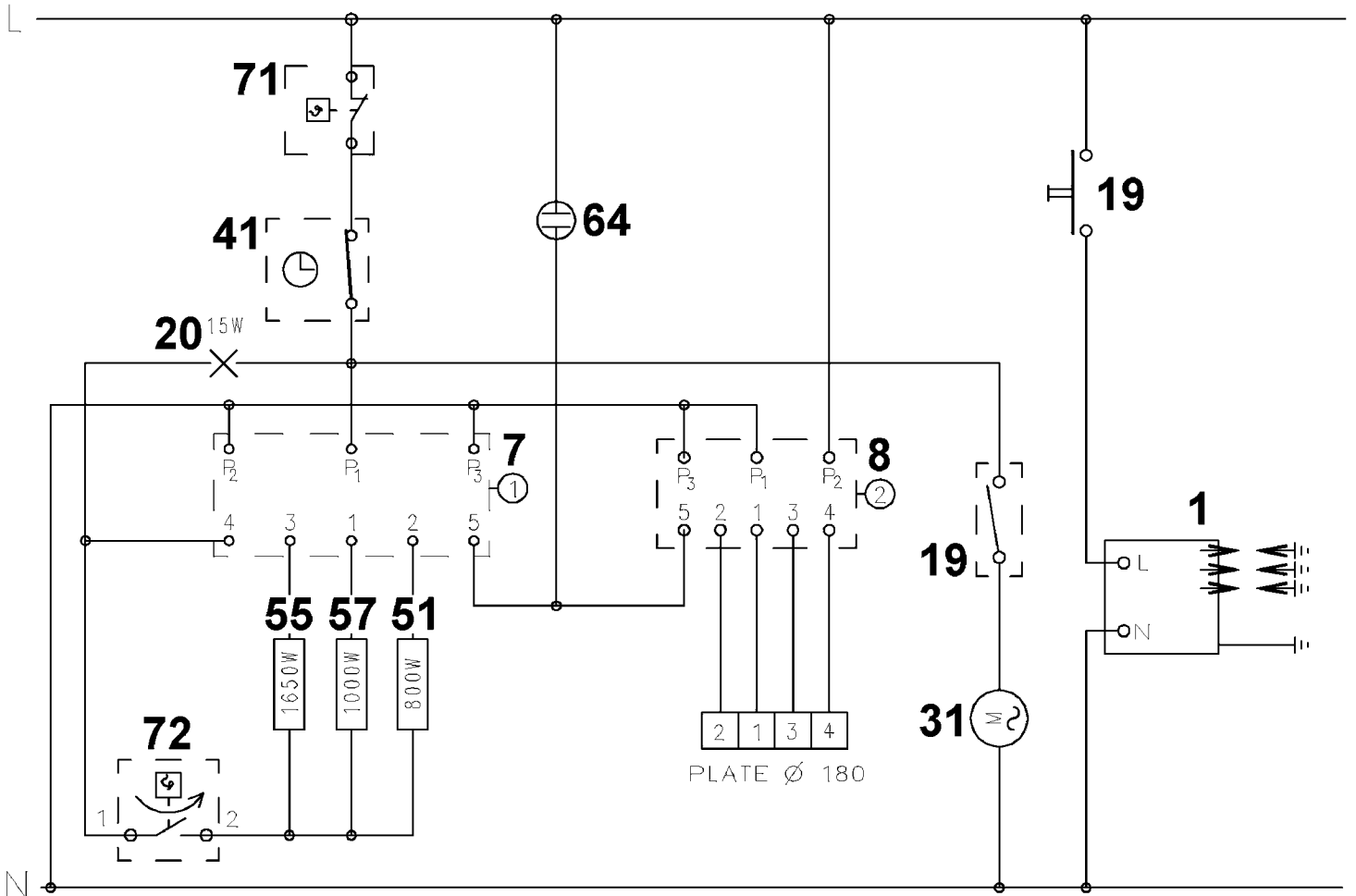
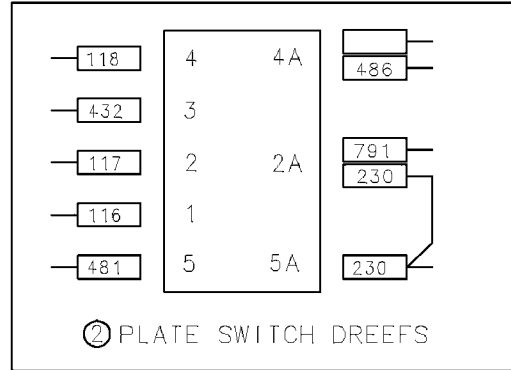
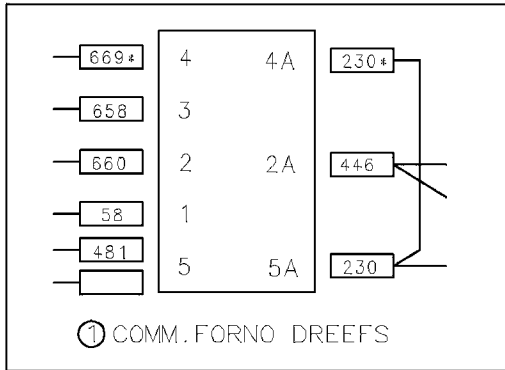


OVEN SWITCH ①

OVEN		⚡	▬▬	▬	▬	▬▬▬
POS.	0	30	60± 240	270	300	330
4-P2						
3-P1						
1-P1						
2-P1						
5-P3						

PLATE SWITCH ②

POS	0	6	5	4	3	2	1
4 - P2							
3 - P2							
3 - P1							
1 - P1							
2 - P1							
5 - P3							



357 669102a