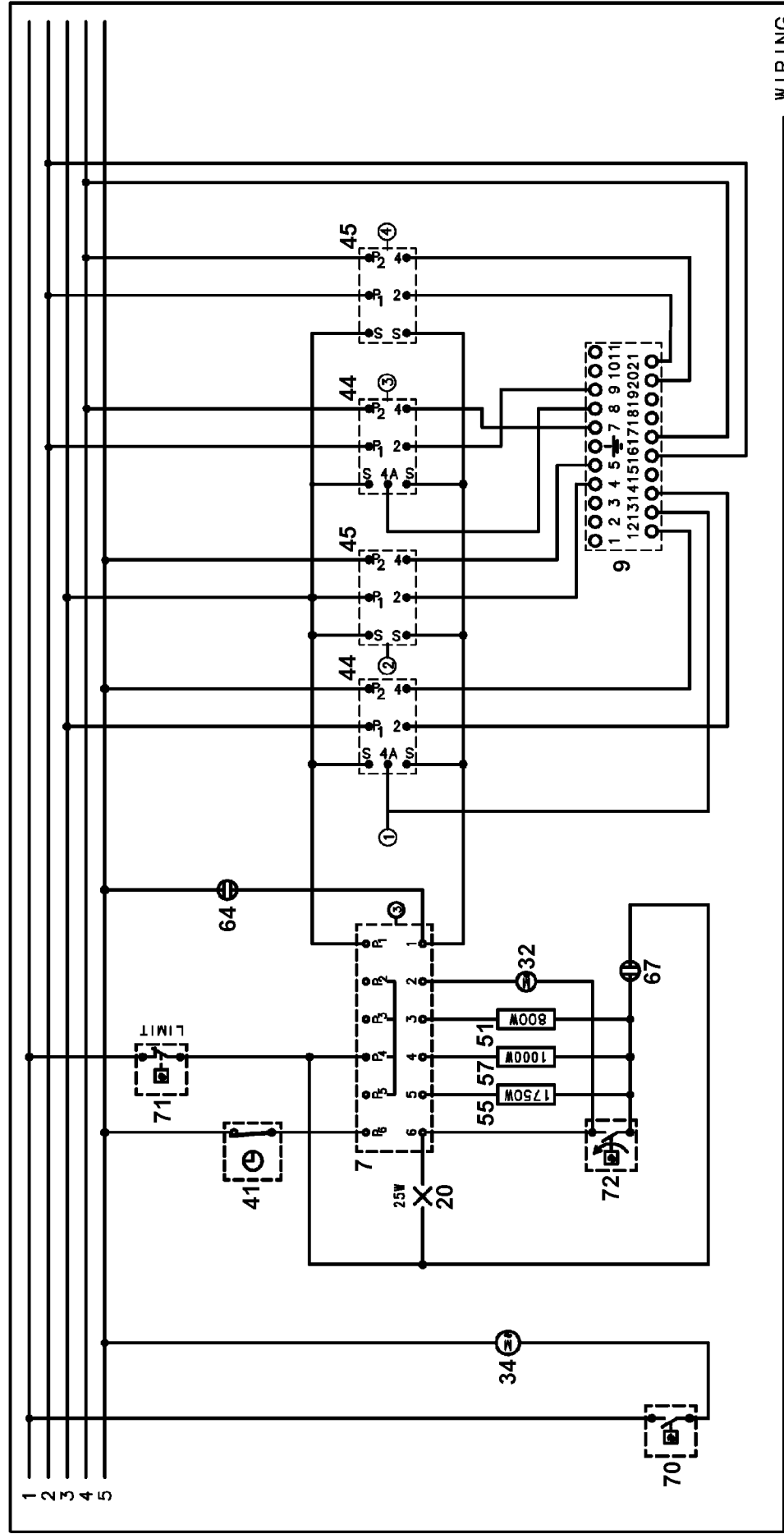
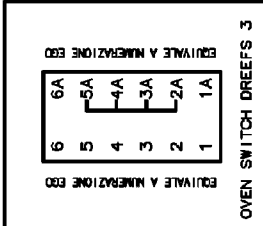


OVEN SWITCH ③

FUNCTIONS	1	2	3	4	5	
POSITIONS	0	1	2	3	4	5
	0	60	120	180	240	300
6 - P6						
5 - P5						
4 - P4						
3 - P3						
2 - P2						
1 - P1						



WIRING