

OVEN SWITCH

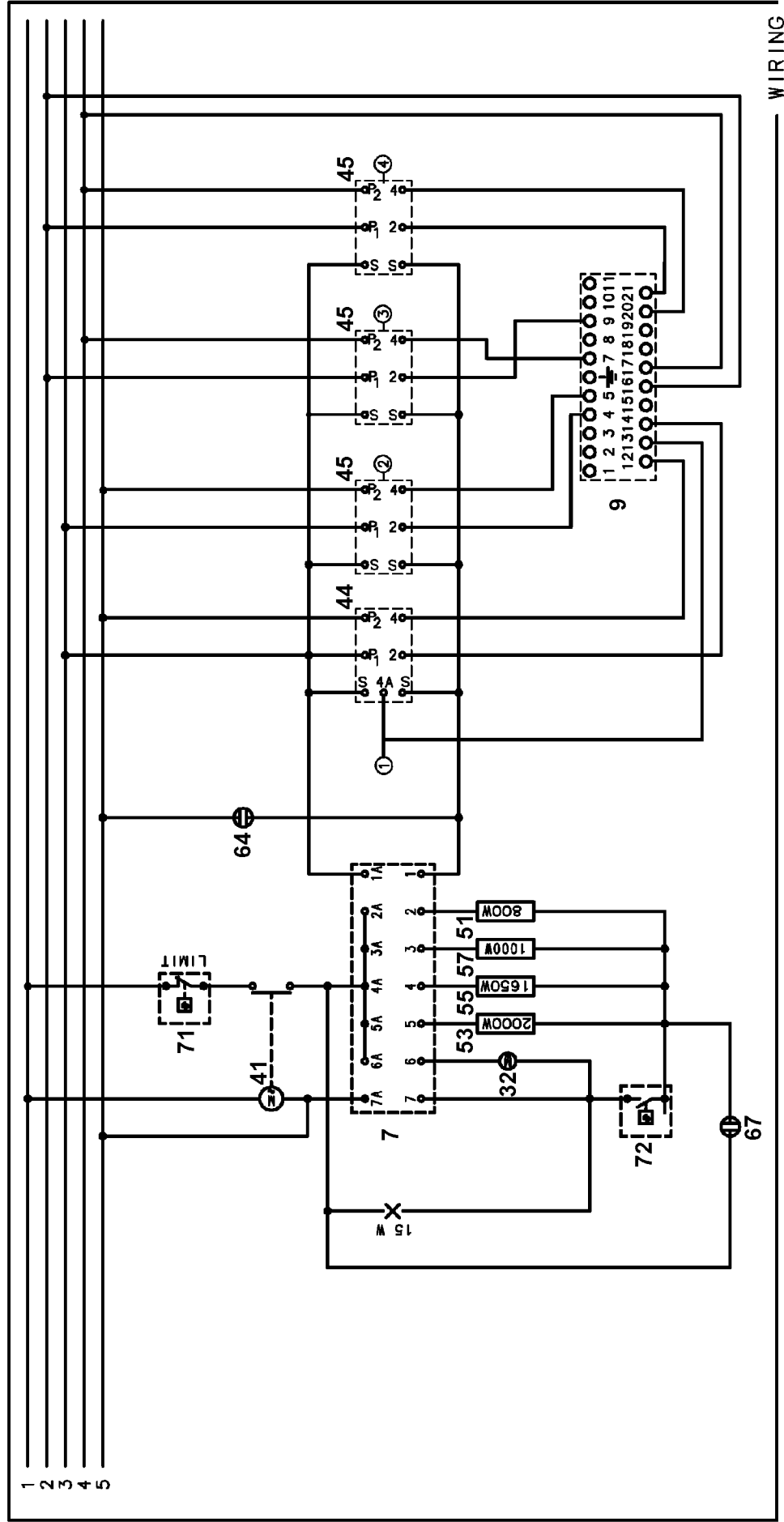
ANGOLAZIONE	40	80	120	160	200	240	280	320	
POSIZIONI	0	1	2	3	4	5	6	7	8
7 - 7a									
6 - 6a									
5 - 5a									
4 - 4a									
3 - 3a									
2 - 2a									
1 - 1a									

DOUBLE ENERGY REGULATOR ①

POSITION	0	1	12
S	●	●	●
P2	●	●	●
P1	●	●	●
4	●	●	●

ENERGY REGULATOR ②③④

POSITION	0	1	7 max.
S	●	●	●
P2	●	●	●
P1	●	●	●
4	●	●	●



WIRING