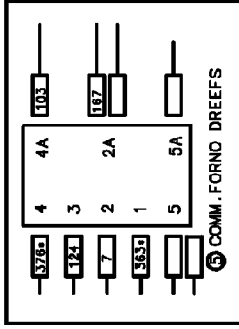


OVEN SWITCH

0	72	144	216	288
4 - P2				
3 - P1				
1 - P1				
2 - P1				
5 - P3				

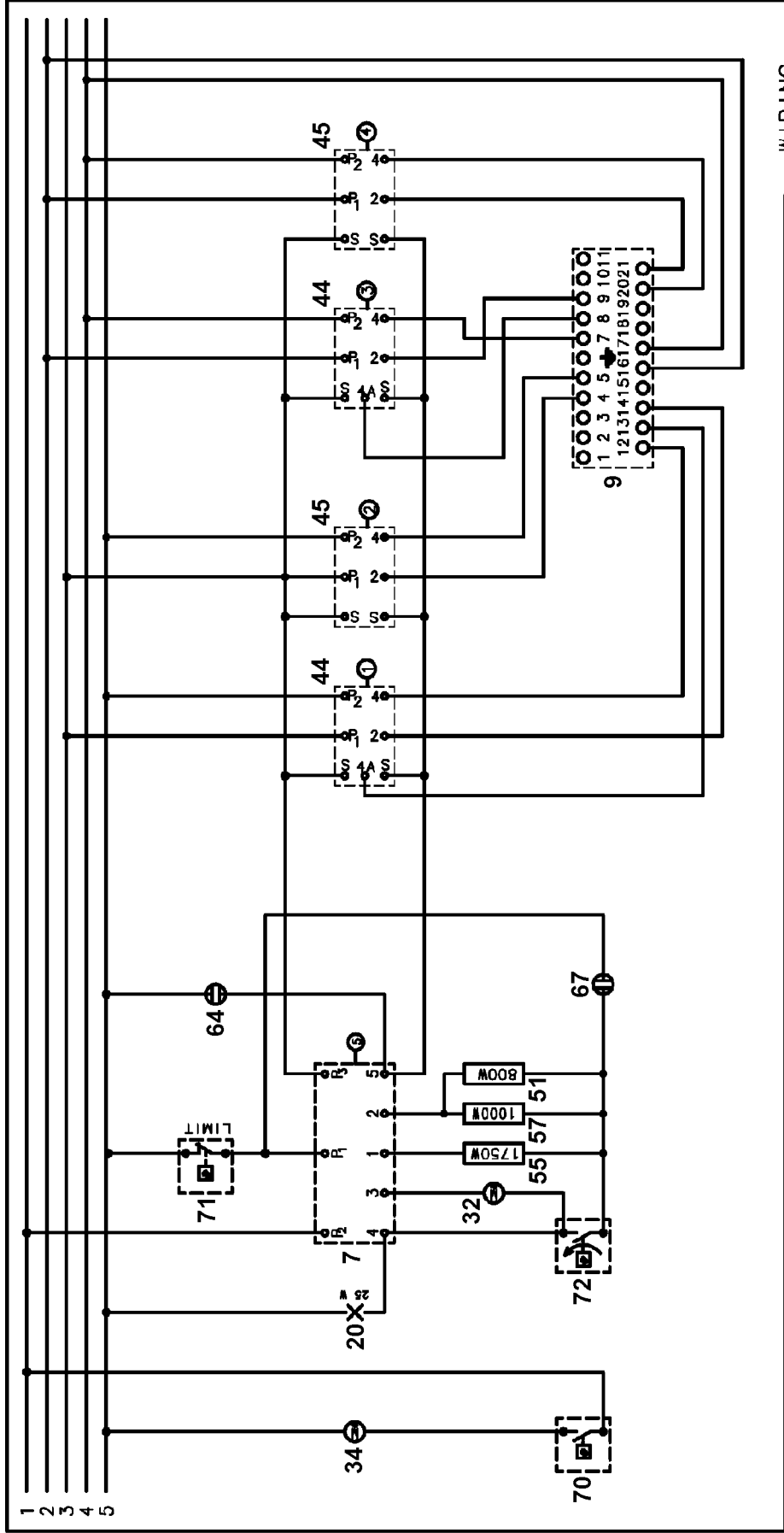


ENERGY REGULATOR

POSITION	0	1	7 MAX.
S	●	●	●
P	●	●	●
F	●	●	●

DOUBLE ENERGY REGULATOR

POSITION	0	1	12
S	●	●	●
P	●	●	●
F	●	●	●



WIRING

357 644201a