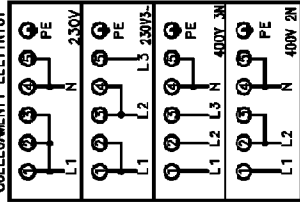
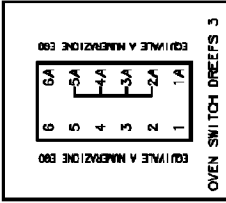


COLLEGAMENTI ELETTRICI



OVEN SWITCH

| FUNCTIONS | 0 | 1 | 2 | 3 | 4 | 5 |
|-----------|---|---|---|---|---|---|
| POSITIONS | 0 | 1 | 2 | 3 | 4 | 5 |
| 6 - P6 | | | | | | |
| 5 - P5 | | | | | | |
| 4 - P4 | | | | | | |
| 3 - P3 | | | | | | |
| 2 - P2 | | | | | | |
| 1 - P1 | | | | | | |

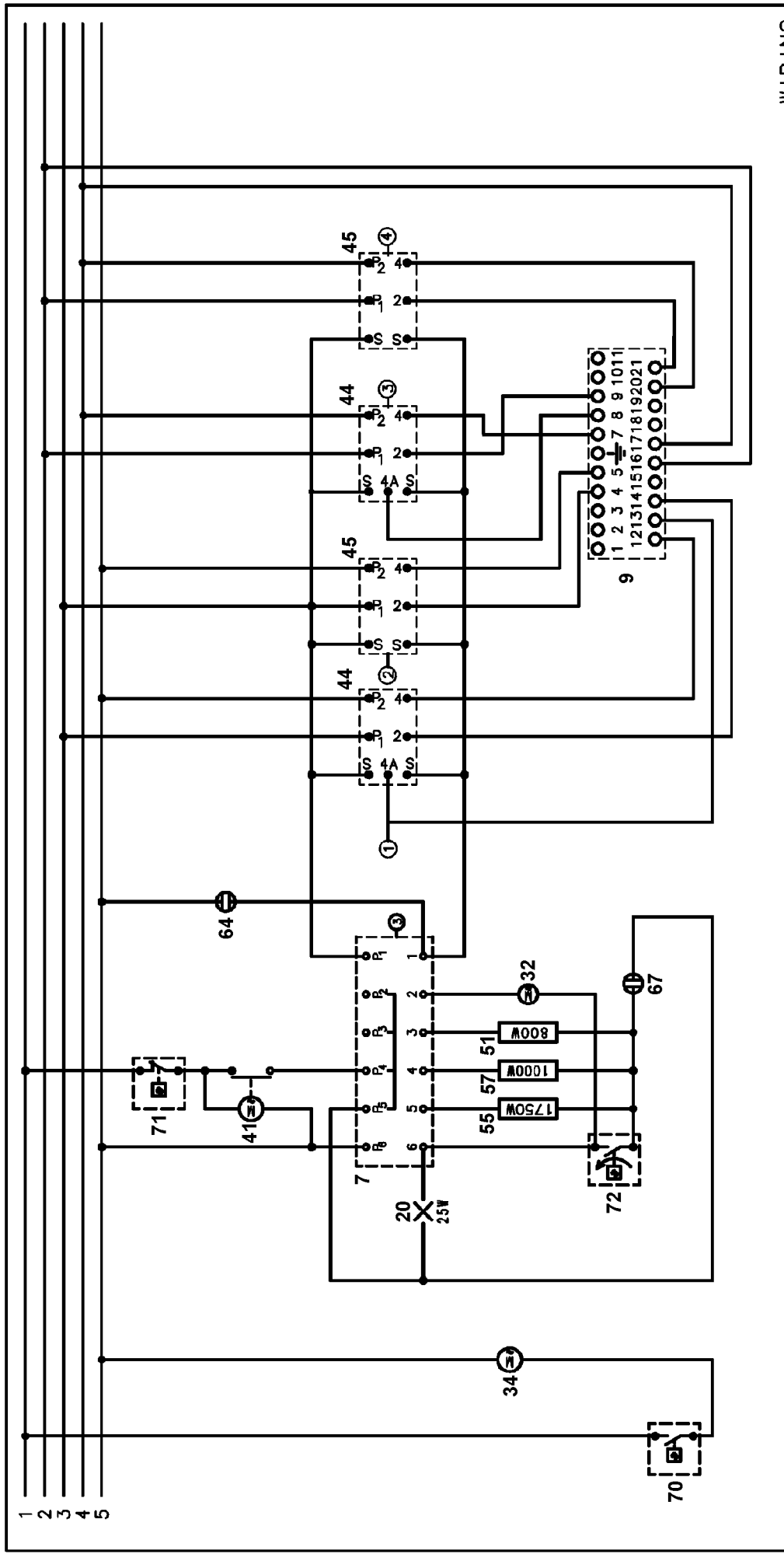


OVEN SWITCH DREEPS 5

ENERGY REGULATOR



DOUBLE ENERGY REGULATOR



WIRING