

FUNCTIONS	0	1	2	3	4	5
POSITIONS	0	1	2	3	4	5
6 - P6						
5 - P5						
4 - P4						
3 - P3						
2 - P2						
1 - P1						

6A	5A	4A	3A	2A	1A

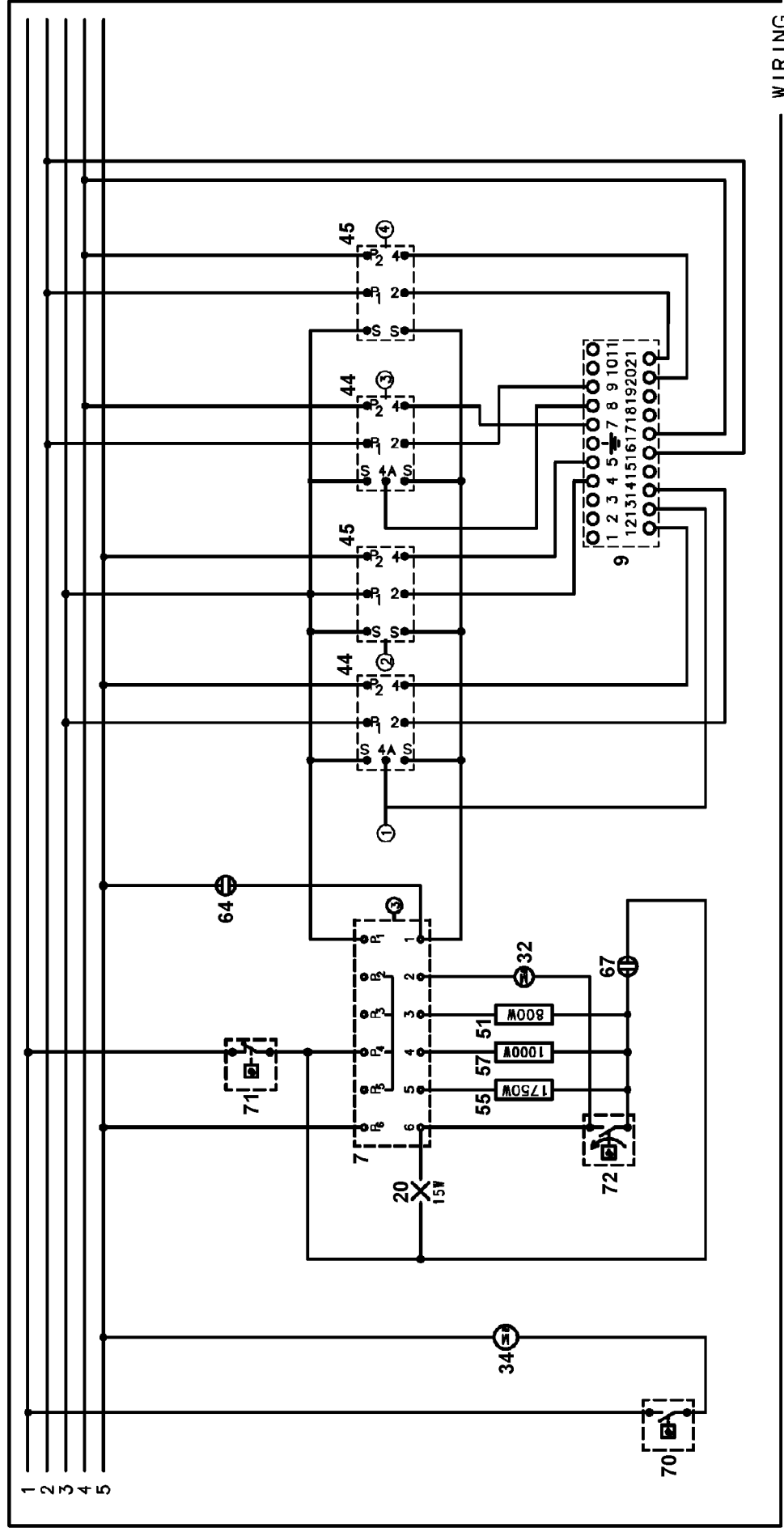
OVEN SWITCH DREEFS 3

POSITION 0	1	2	3	4	5
S	S	S	S	S	S
F	F	F	F	F	F
P	P	P	P	P	P
4	4	4	4	4	4

DOUBLE ENERGY REGULATOR ①

POSITION 0	1	2	3	4	5
S	S	S	S	S	S
F	F	F	F	F	F
P	P	P	P	P	P
4	4	4	4	4	4

ENERGY REGULATOR ②



WIRING

