

OVEN SWITCH

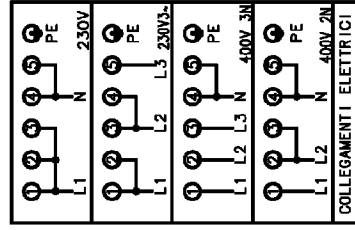
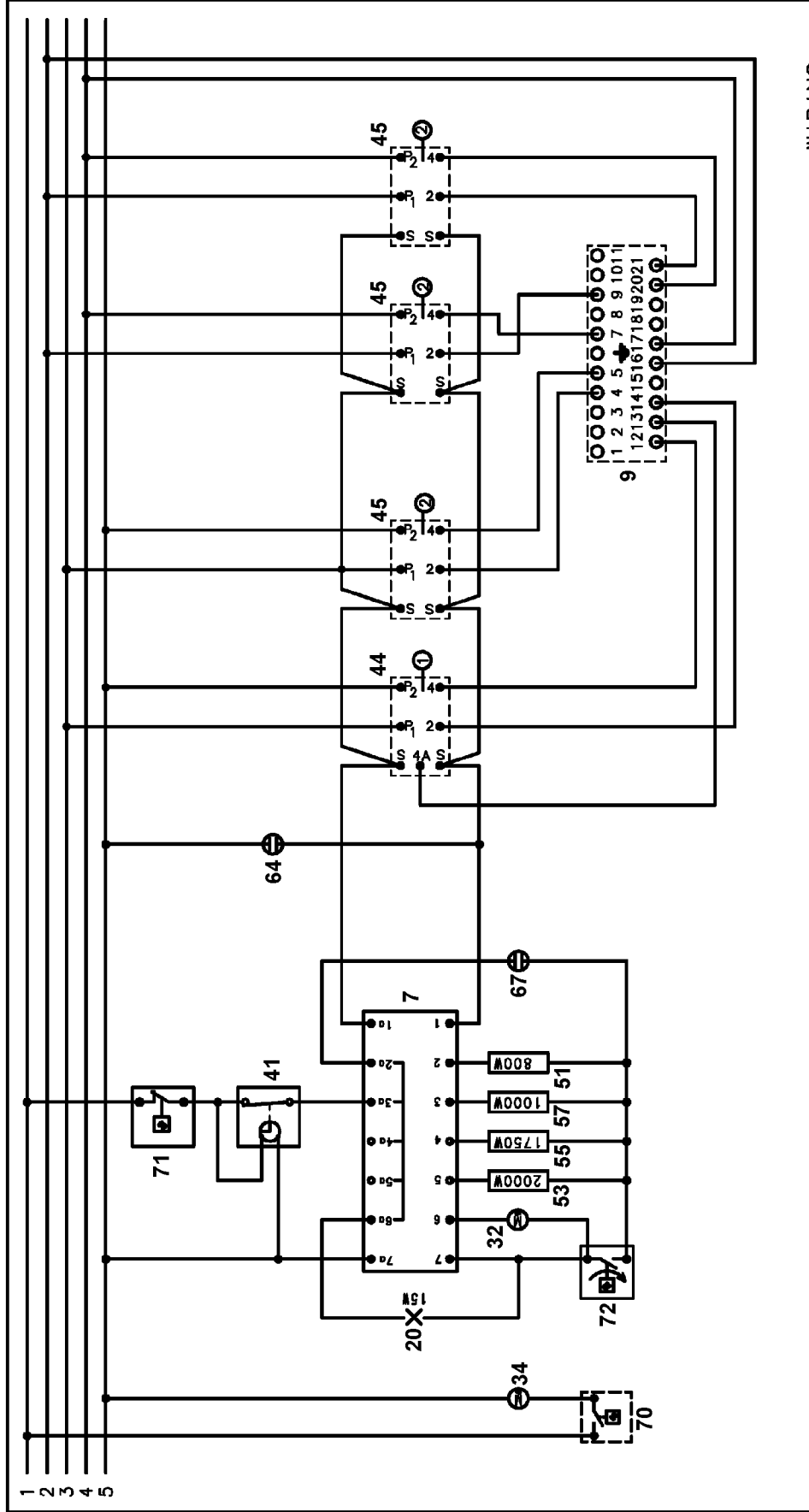
ANGOLAZIONE	40	60	120	160	200	240	280	320	
POSIZIONI	0	1	2	3	4	5	6	7	8
7 - 7a									
6 - 6a									
5 - 5a									
4 - 4a									
3 - 3a									
2 - 2a									
1 - 1a									

DOUBLE ENERGY REGULATOR ①

POSITION	0	1	12
S	●	●	●
P2	●	●	●
P1	●	●	●
H	●	●	●

ENERGY REGULATOR ②

POSITION	0	1	7	NO X.
S	●	●	●	
P2	●	●	●	
P1	●	●	●	
H	●	●	●	



WIRING

357 547203a