

**OVEN SWITCH ③**

FUNCTIONS							
POSITIONS	0	1	2	3	4	5	
	4	0	60	120	180	240	300
6 - P6							
5 - P5							
4 - P4							
3 - P3							
2 - P2							
1 - P1							

EQUIVALE A NUMERAZIONE EGO

6	6A
5	5A
4	4A
3	3A
2	2A
1	1A

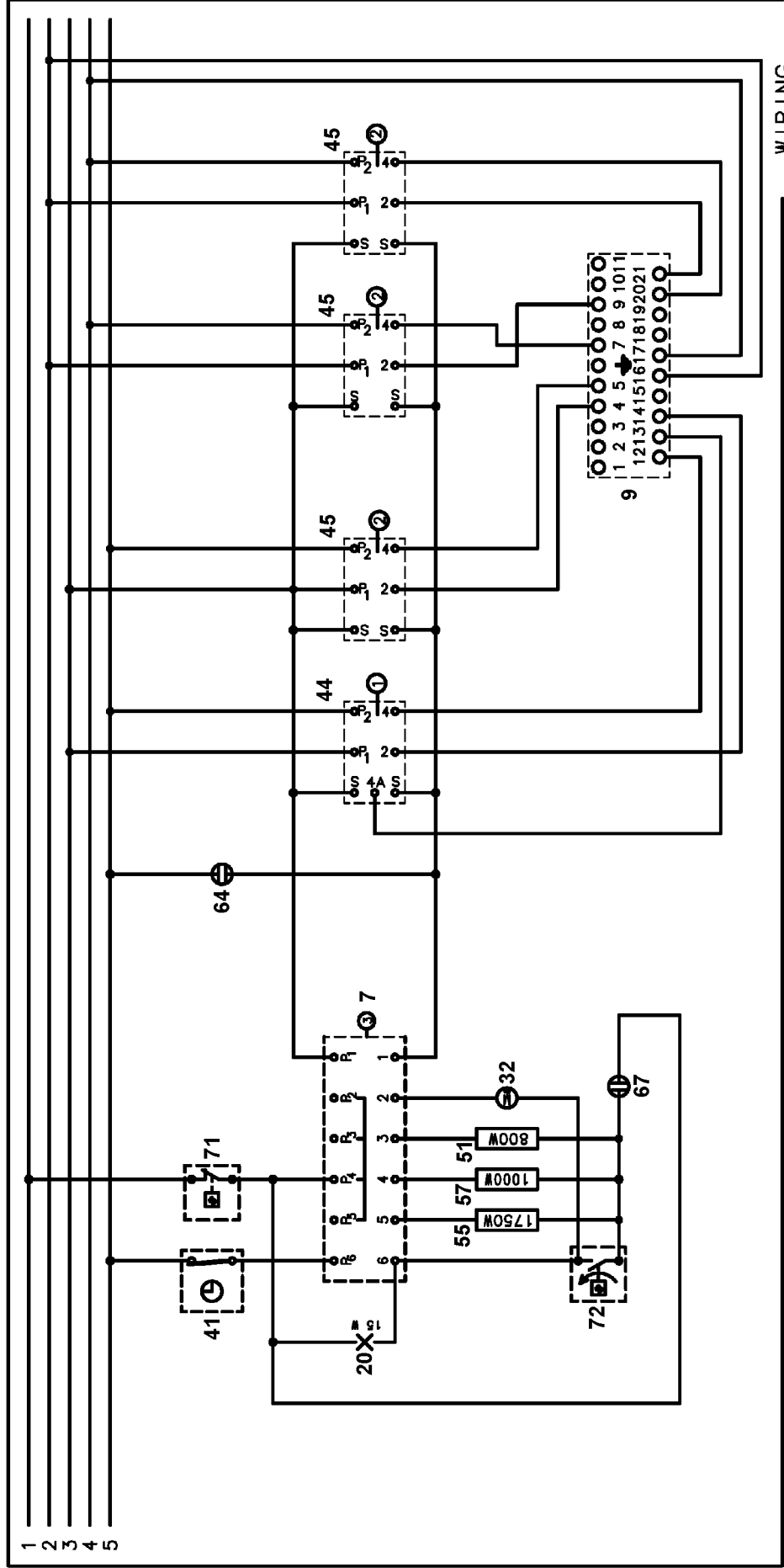
OVEN SWITCH DREEFS 3

**DOUBLE ENERGY REGULATOR ①**

POSITION	0	1	12
S	●	●	●
P2	●	●	●
P1	●	●	●

**ENERGY REGULATOR ②**

POSITION	0	1	7 MAX.
S	●	●	●
P2	●	●	●
P1	●	●	●



WIRING

