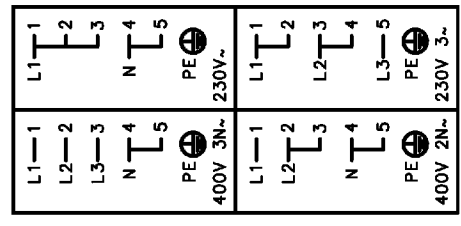
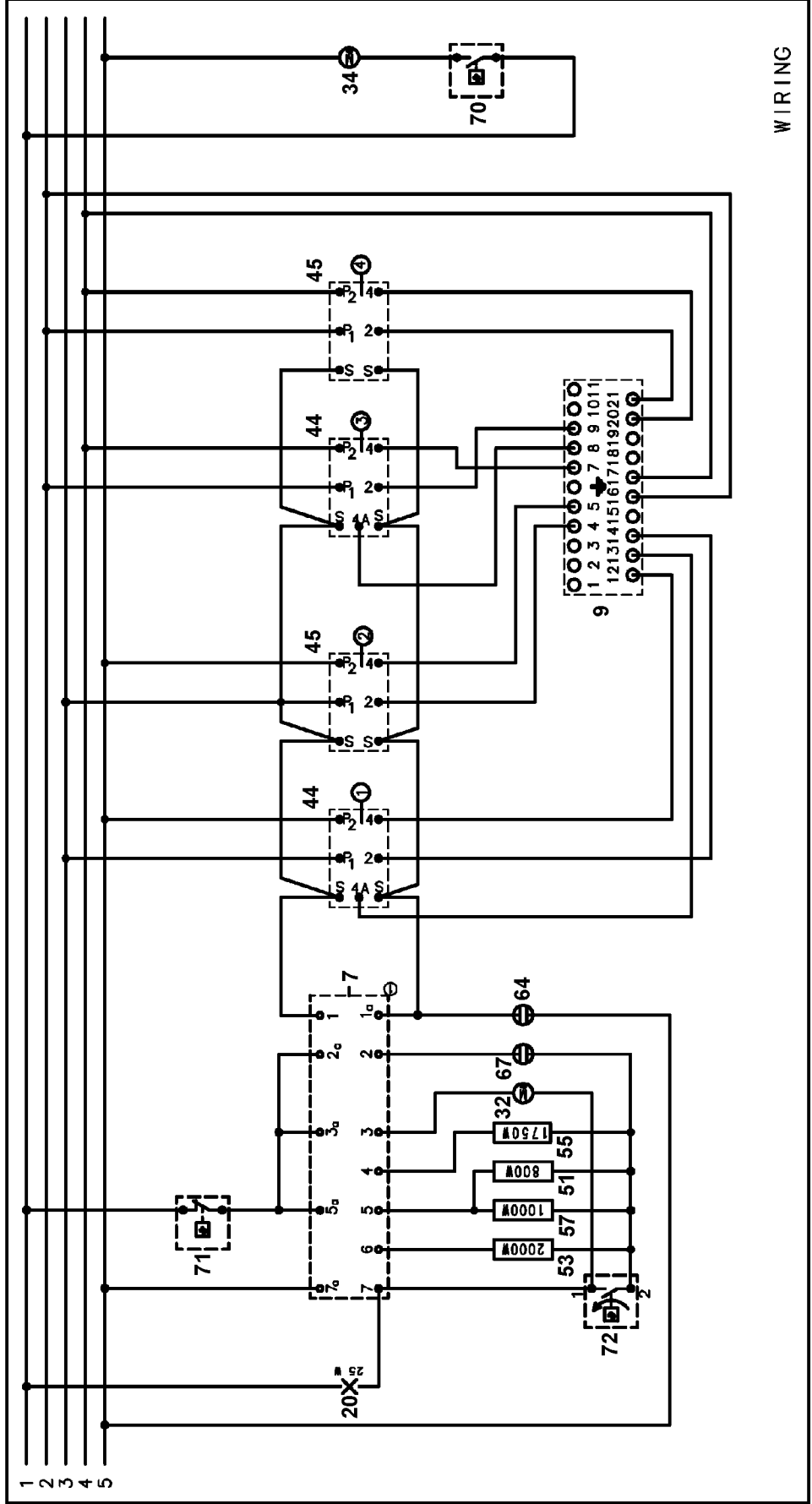
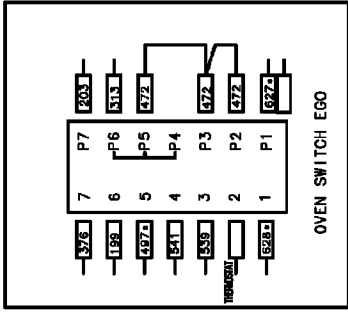


OVEN SWITCH	9	72	144	216	288
7 - 7a	0				
6 - 5a					
5 - 5a					
4 - 5a					
3 - 3a					
2 - 2a					
1 - 1a					



WIRING