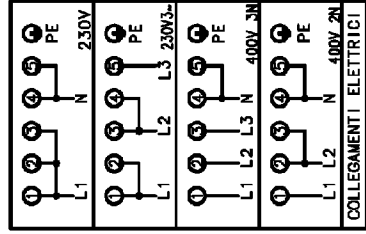
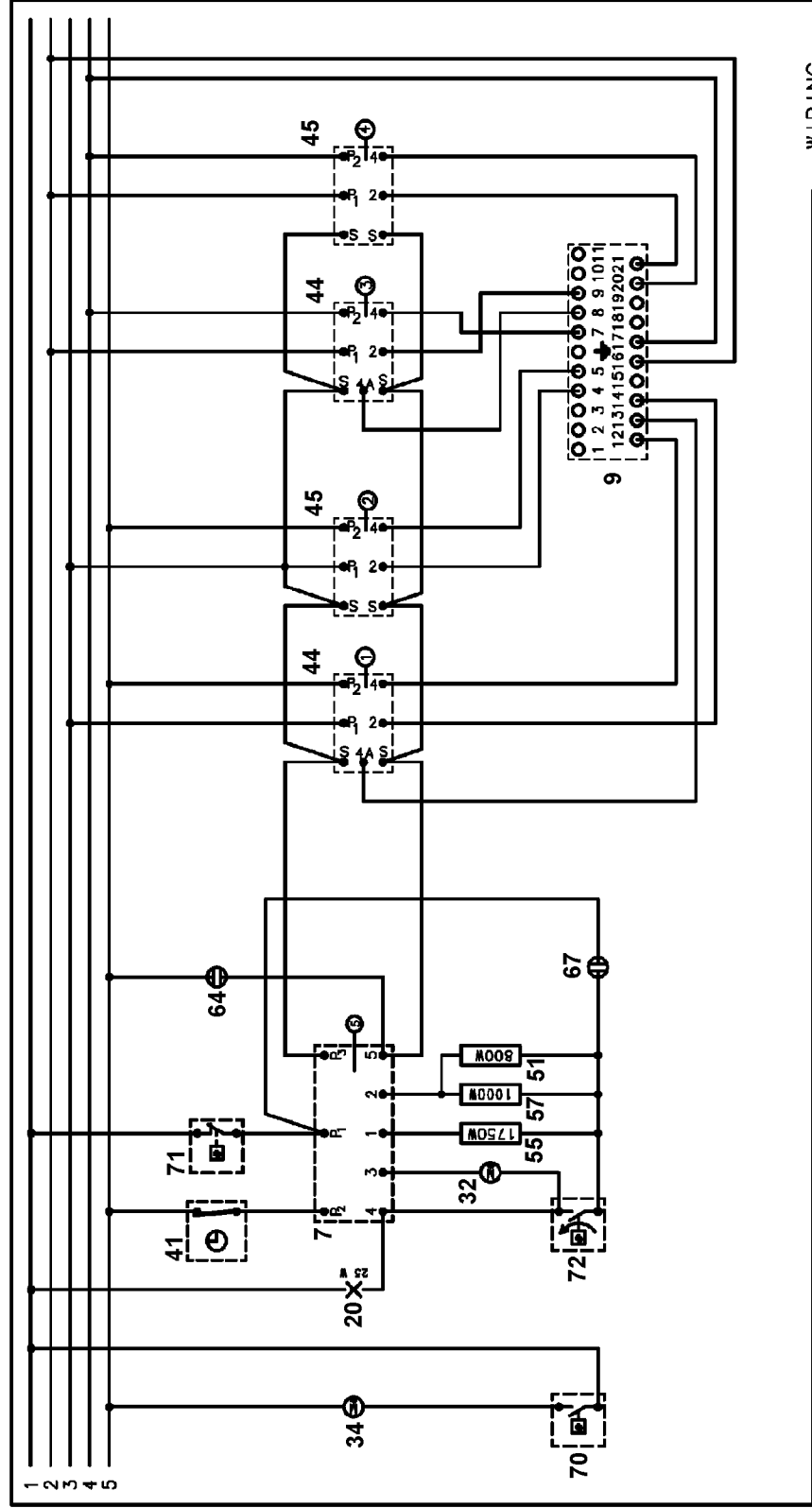
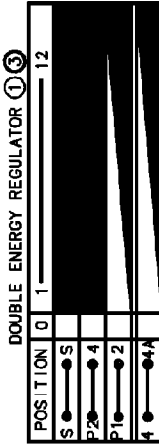
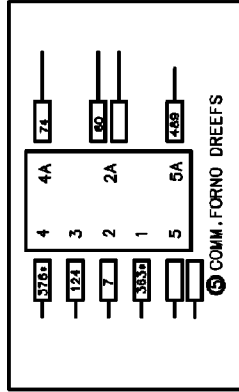
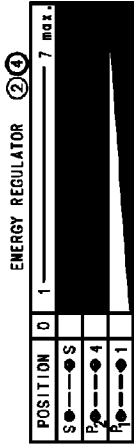


OVEN SWITCH	8		
4	0	72	144 216 288
4 - P2			
3 - P1			
1 - P1			
2 - P1			
5 - P3			



WIRING