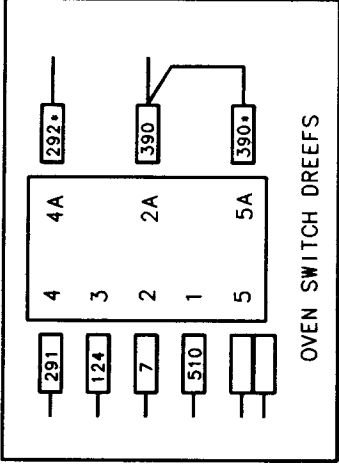


① OVEN SWITCH

0	72	144	216	288
4 - P2				
3 - P1				
1 - P1				
2 - P1				
5 - P3				



357 531502a