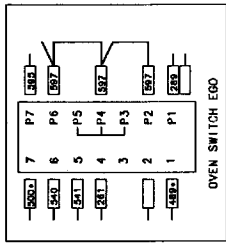
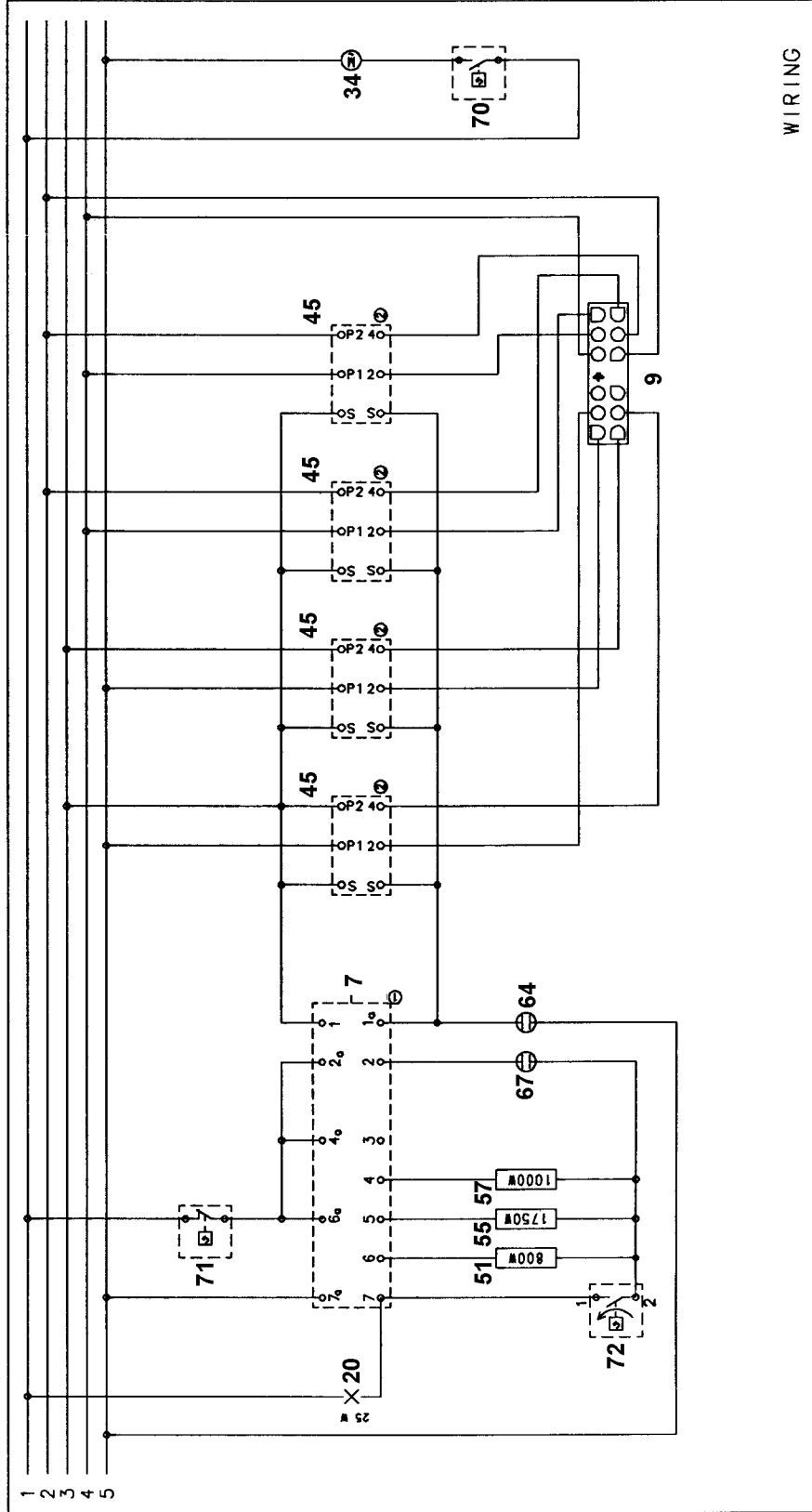


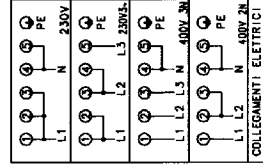
OVEN SWITCH	0	72	144	216	288
7 - 7a					
6 - 6a					
5 - 4a					
4 - 4a					
3 - 4a					
2 - 2a					
1 - 1a					



ENERGY REGULATOR	
POSITION	0 1 7 max.
S	0 - 0 S
P	0 - 0 4
R	0 - 0 1



WIRING



357 548201a