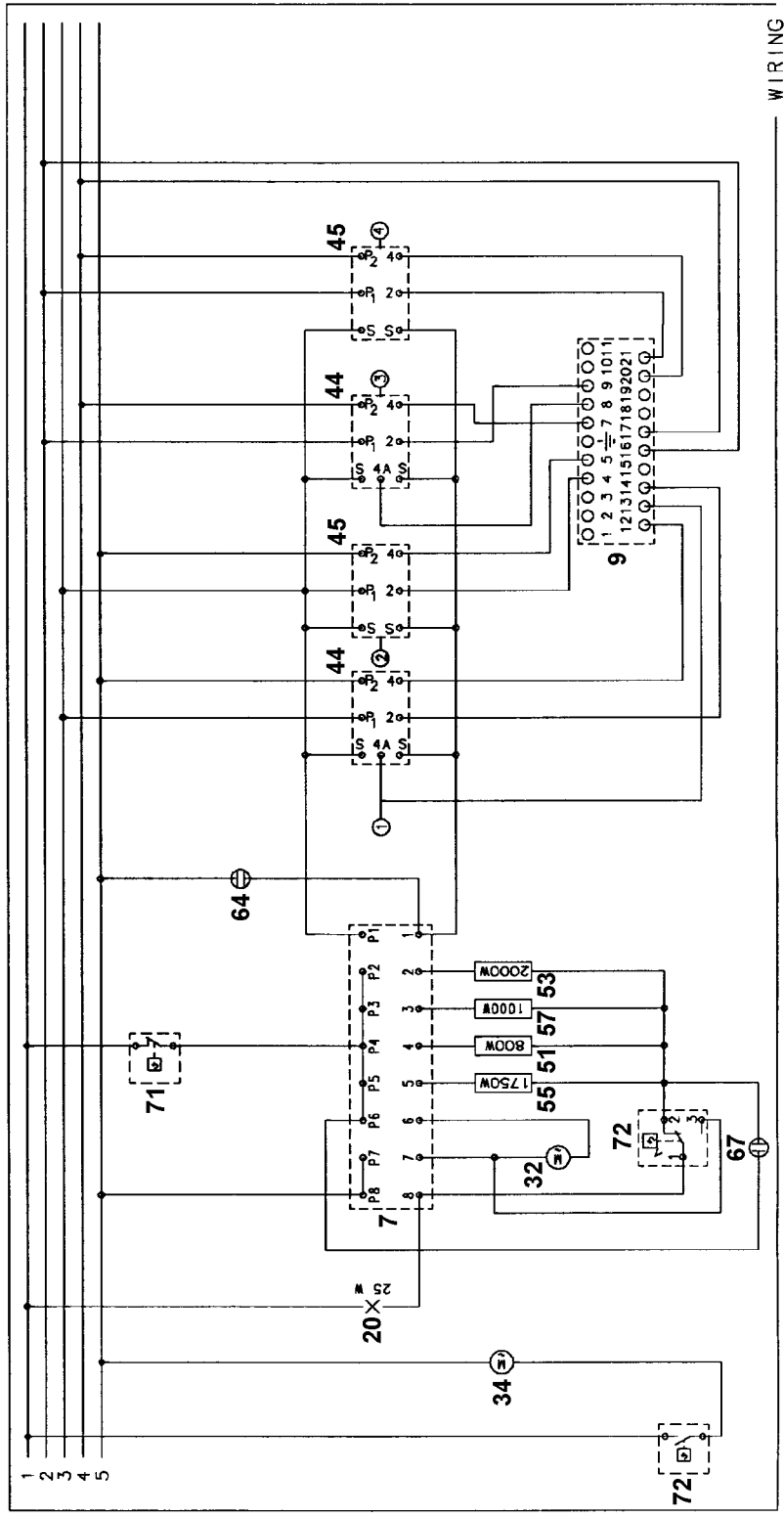


DOUBLE ENERGY REGULATOR ① ③

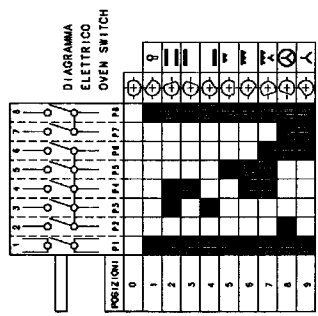
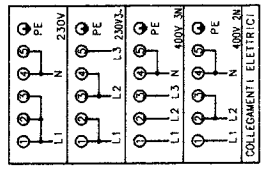
POSITION	D	1	2	3	4	5	6	7	8	9	10	11	12
S	0	0.5											
P20	0	4											
P10	0	2											
K	0	0.4A											

ENERGY REGULATOR ② ④

POSITION	D	1	2	3	4	5	6	7	8	9	10	11	12
S	0	0.5											
P20	0	4											
P10	0	2											
K	0	0.4A											



WIRING



357 548601a