

DOUBLE ENERGY REGULATOR ①

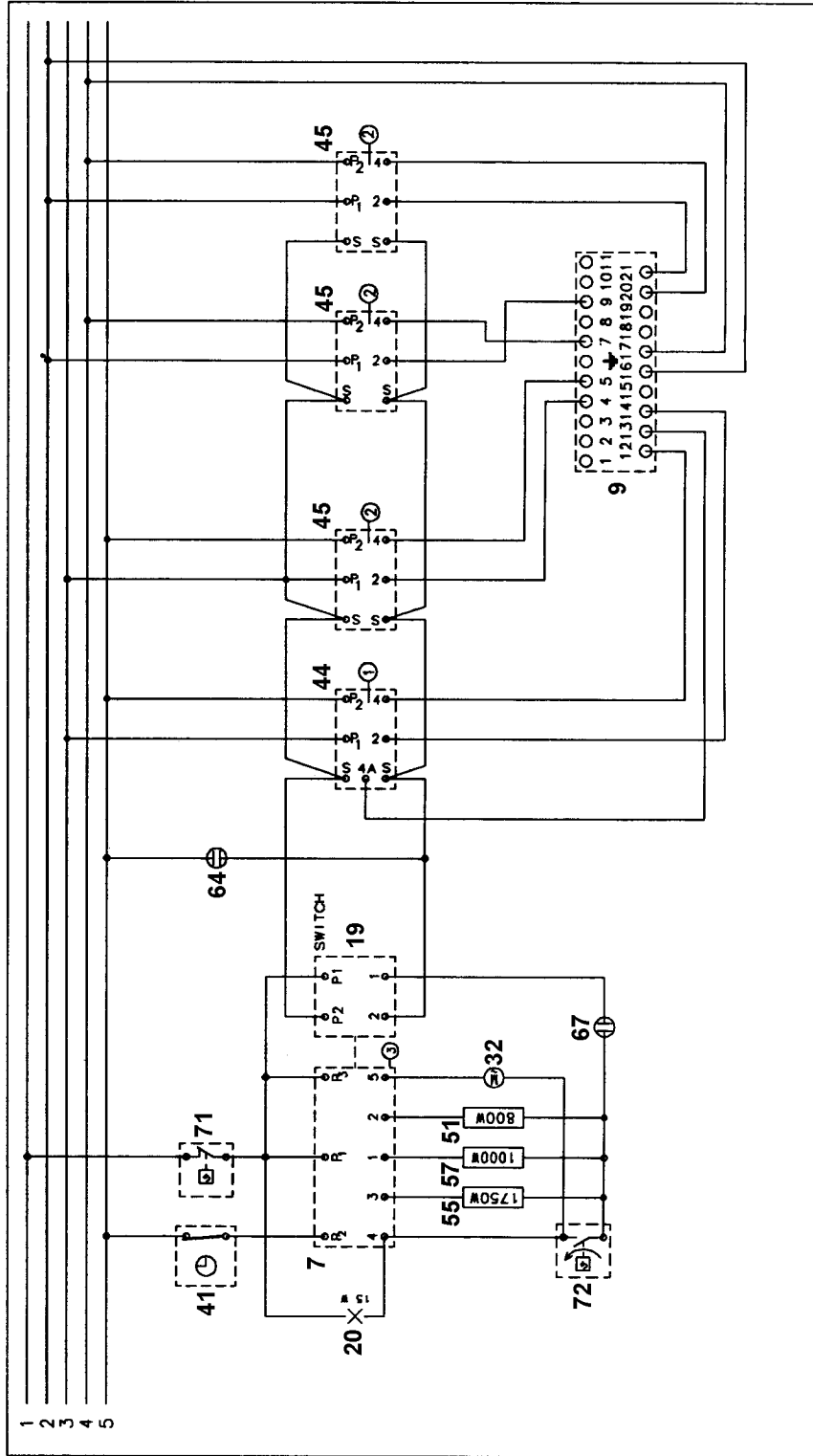
POSITION	0	1	2	3	4	5	6	7	8	9	10	11	12
S	0	0	S										
P2	0	0	4										
P1	0	0	2										
4	0	0	04A										

ENERGY REGULATOR ②

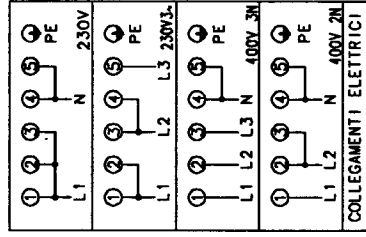
POSITION	0	1	2	3	4	5	6	7	8	9	10	11	12
S	0	0	S										
P2	0	0	4										
P1	0	0	2										
4	0	0	04A										

SWITCH

POS.	0	1	2	3	4	5	6	7	8	9	10	11	12
P1	1	1	1	1	1	1	1	1	1	1	1	1	1
P2	2	2	2	2	2	2	2	2	2	2	2	2	2



WIRING



③ OVEN SWITCH

0	60	120	180	240	300
4 - P2					
3 - P1					
1 - P1					
2 - P1					
5 - P3					

357 545701a