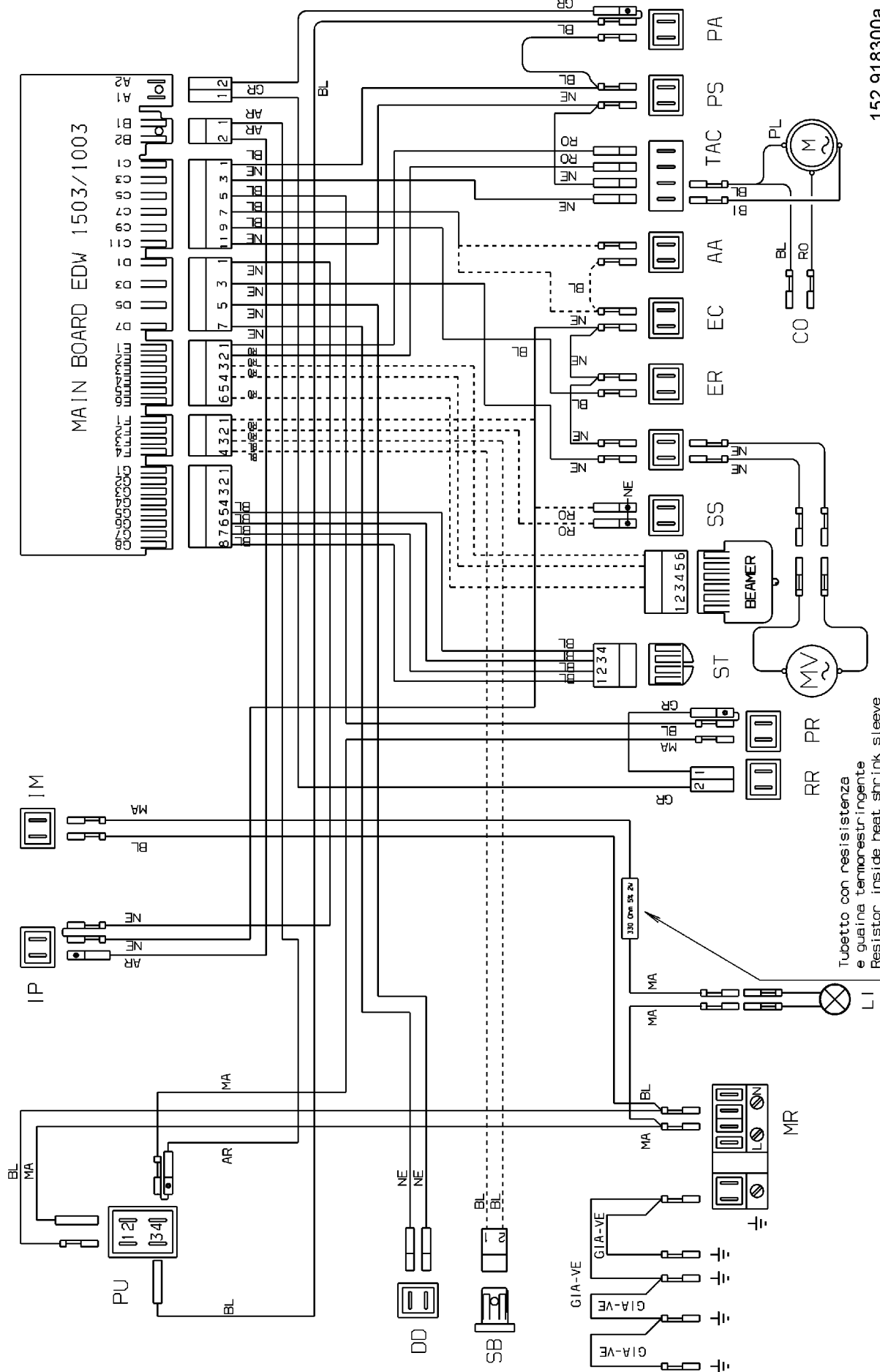


MAIN BOARD EDW 1503/1003



Tubetto con resistenza
e guaina termoresistente
Resistor inside heat shrink sleeve