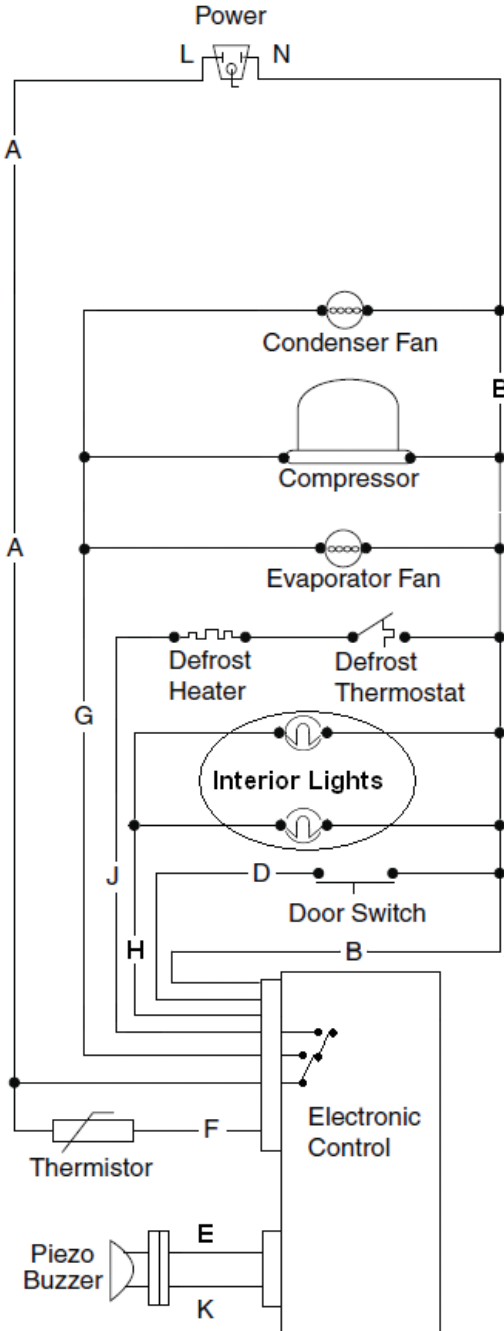
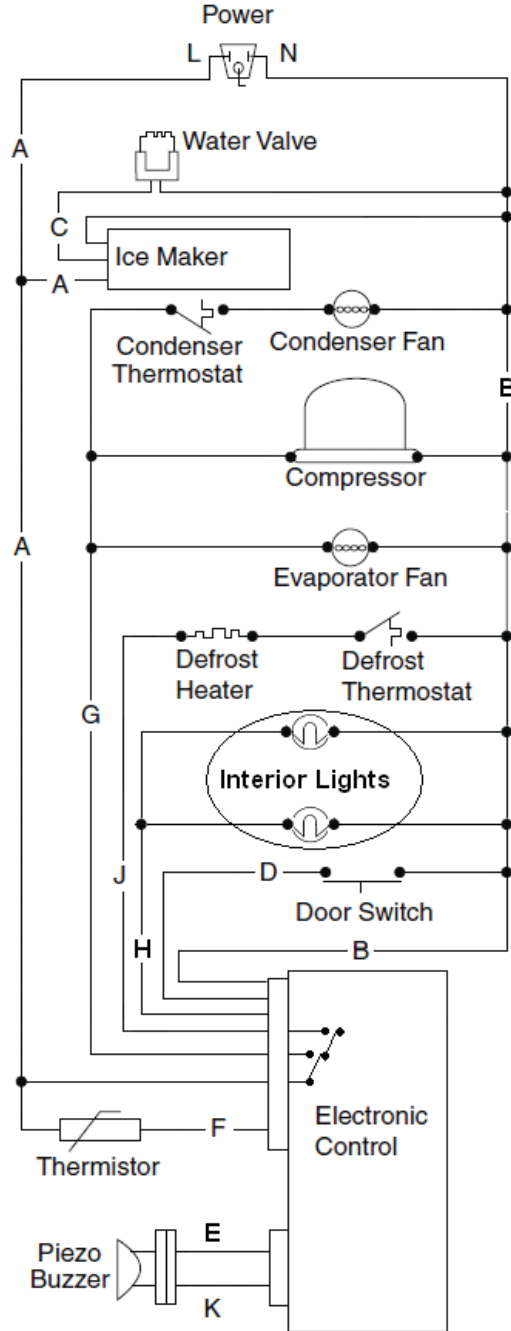


Refrigerator



A = Black
 B = White
 D = Blue
 E = Gray
 F = Red
 G = Yellow
 H = Brown
 J = Orange
 K = Pink

Freezer



A = Black
 B = White
 C = Purple
 D = Blue
 E = Gray
 F = Red
 G = Yellow
 H = Brown
 J = Orange
 K = Pink