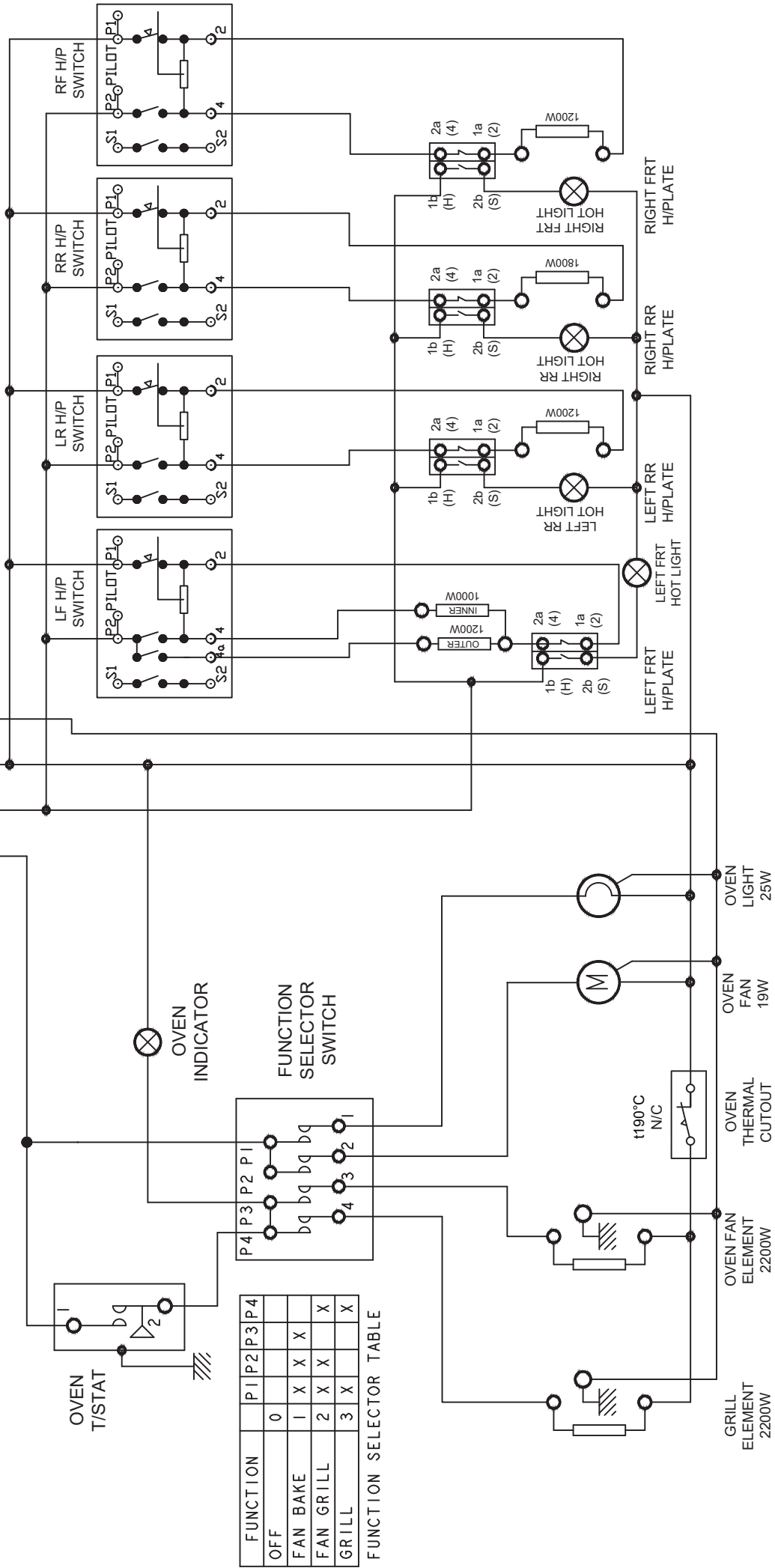


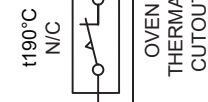
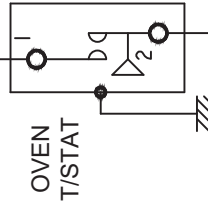
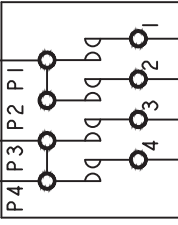
A1 A2 N E

CONTROL PANEL
H/PLATE MOUNTING PLATE
CP FASCIA



FUNCTION SELECTOR TABLE

FUNCTION	P1	P2	P3	P4
OFF				
FAN BAKE	X	X	X	
FAN GRILL	X	X	X	X
GRILL	X	X		X



GRILL ELEMENT
2200W

OVEN FAN ELEMENT
2200W

OVEN THERMAL
CUTOUT

OVEN FAN
19W

OVEN LIGHT
25W

LEFT FRT
H/PLATE

LEFT RR
H/PLATE

RIGHT RR
H/PLATE

RIGHT FRT
H/PLATE

1000W
INNER

1200W
OUTER

1200W

1800W

1200W

1b (H)

2a (4)

1a (2)

2b (S)

1b (H)

2a (4)

1a (2)

2b (S)

1b (H)

2a (4)

1a (2)

2b (S)

1b (H)

2a (4)

1a (2)

2b (S)

1b (H)

2a (4)

1a (2)

2b (S)