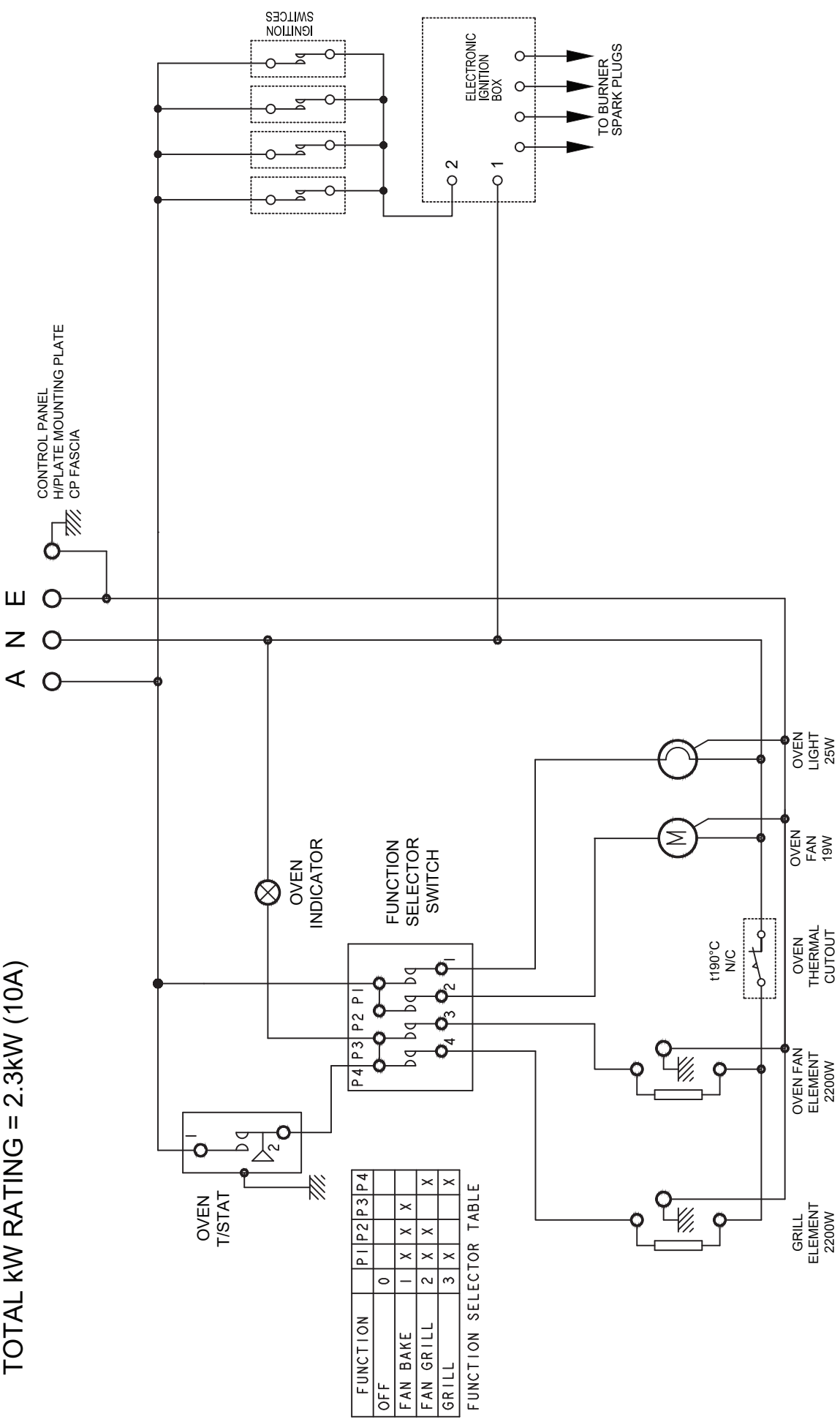


TOTAL kW RATING = 2.3kW (10A)



FUNCTION	P1	P2	P3	P4
OFF	0			
FAN BAKE	1	X	X	X
FAN GRILL	2	X	X	X
GRILL	3	X		X

FUNCTION SELECTOR TABLE

DANGER 240V
DISCONNECT POWER BEFORE SERVICING UNIT

THIS RANGE MUST BE CONNECTED WITH CABLE OF 75°C RATING MINIMUM
WARNING: THIS RANGE MUST BE EARTHED

INSTALLATION INSPECTOR PLEASE NOTE:
THIS PRODUCT HAS PASSED THE INSULATION RESISTANCE TEST AFTER MANUFACTURE. IF THE RESISTANCE READING IS LOW AT INSTALLATION, IT IS PROBABLY CAUSED BY MOISTURE FROM THE ATMOSPHERE BEING ABSORBED BY THE ELEMENTS AFTER THE RANGE HAS BEEN PRODUCED. (PASS AT 0.01MΩ AS/NZS 3000 WIRING RULES CLAUSE 8.3.6.2).