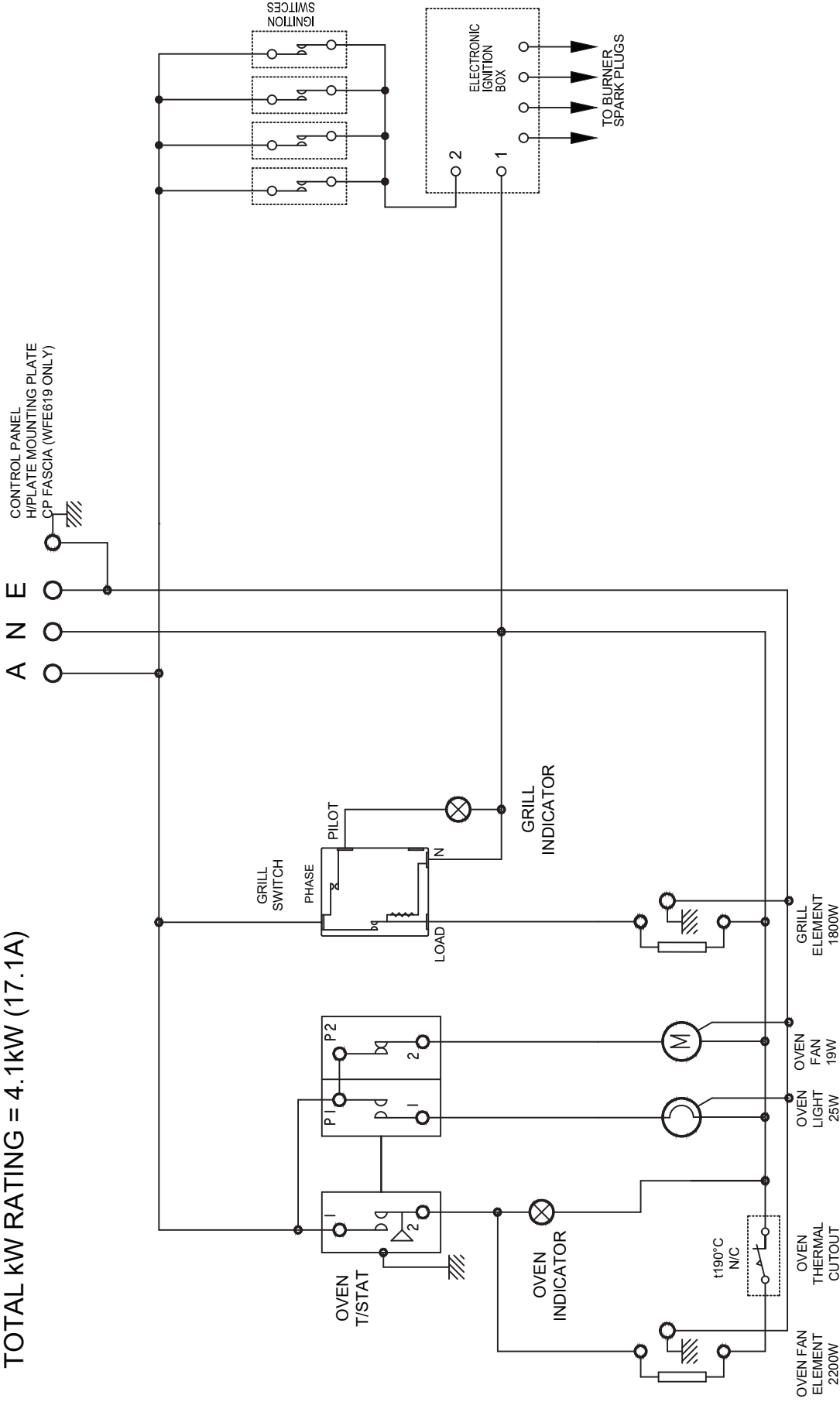


TOTAL kW RATING = 4.1kW (17.1A)



**INSTALLATION INSPECTOR PLEASE NOTE:**

THIS PRODUCT HAS PASSED THE INSULATION RESISTANCE TEST AFTER MANUFACTURE. IF THE RESISTANCE READING IS LOW AT INSTALLATION, IT IS PROBABLY CAUSED BY MOISTURE FROM THE ATMOSPHERE BEING ABSORBED BY THE ELEMENTS AFTER THE RANGE HAS BEEN PRODUCED. (PASS AT 0.01MΩ ASINZS 3000 WIRING RULES CLAUSE 8.3.6.2).

THIS RANGE MUST BE CONNECTED WITH CABLE OF 75°C RATING MINIMUM

WARNING: THIS RANGE MUST BE EARTHED

**DANGER 240V**  
DISCONNECT POWER BEFORE SERVICING UNIT