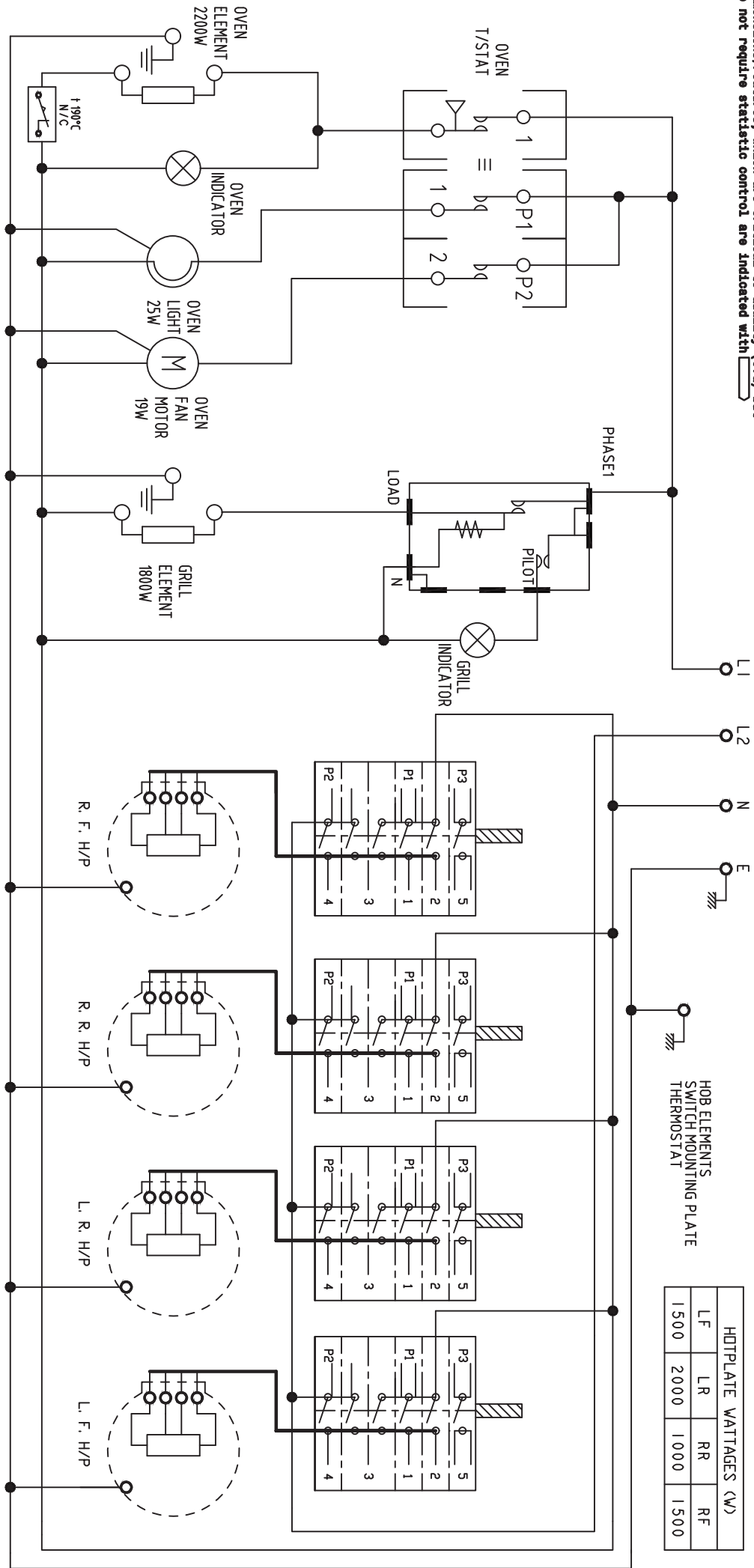
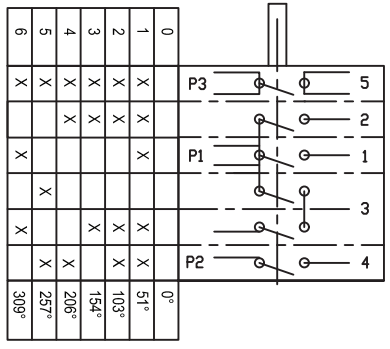


Dimensions/features, which are critical to quality (CTQ) but do not require statistic control are indicated with 



HOTPLATE WATTAGES (W)				
LF	LR	RR	RF	
1500	2000	1000	1500	



	0	1	2	3	4	5	6
P3	X	X	X	X	X	X	X
P1		X	X	X	X	X	X
P2			X	X	X	X	X
				X	X	X	X
					X	X	X
						X	X
							X

SOLID HOB ROTARY SW TABLE

0°
51°
103°
154°
206°
257°
309°