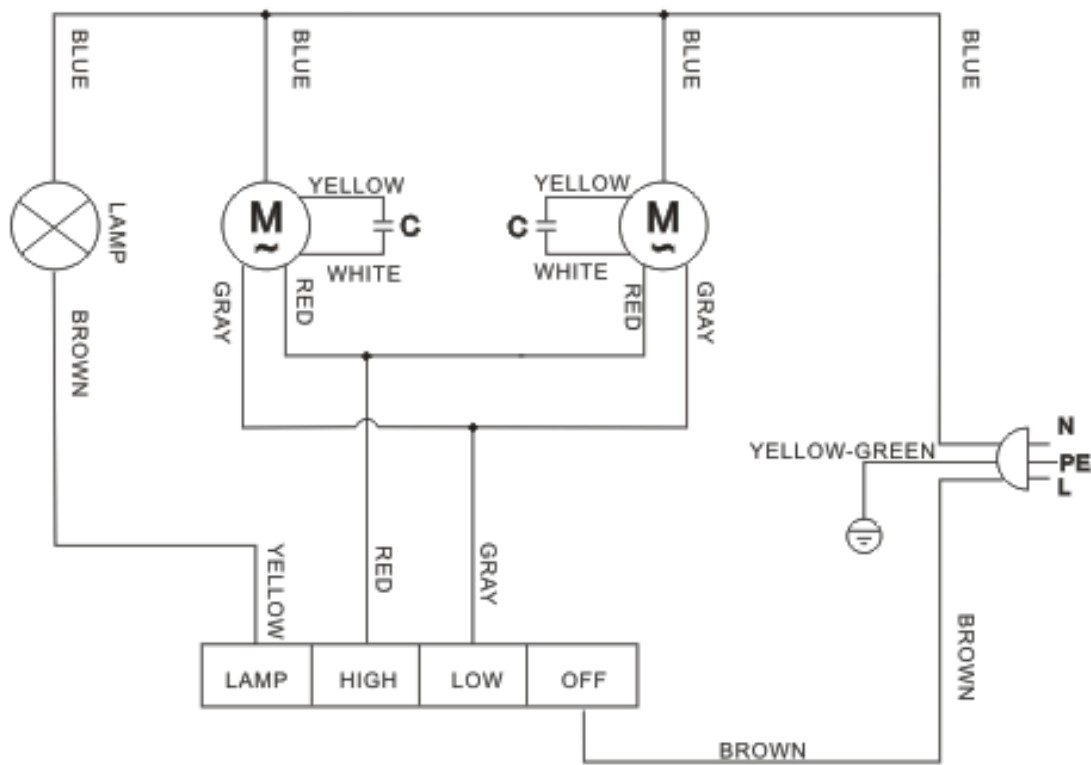


90.0 mm

CIRCUIT DIAGRAM



80.0 mm