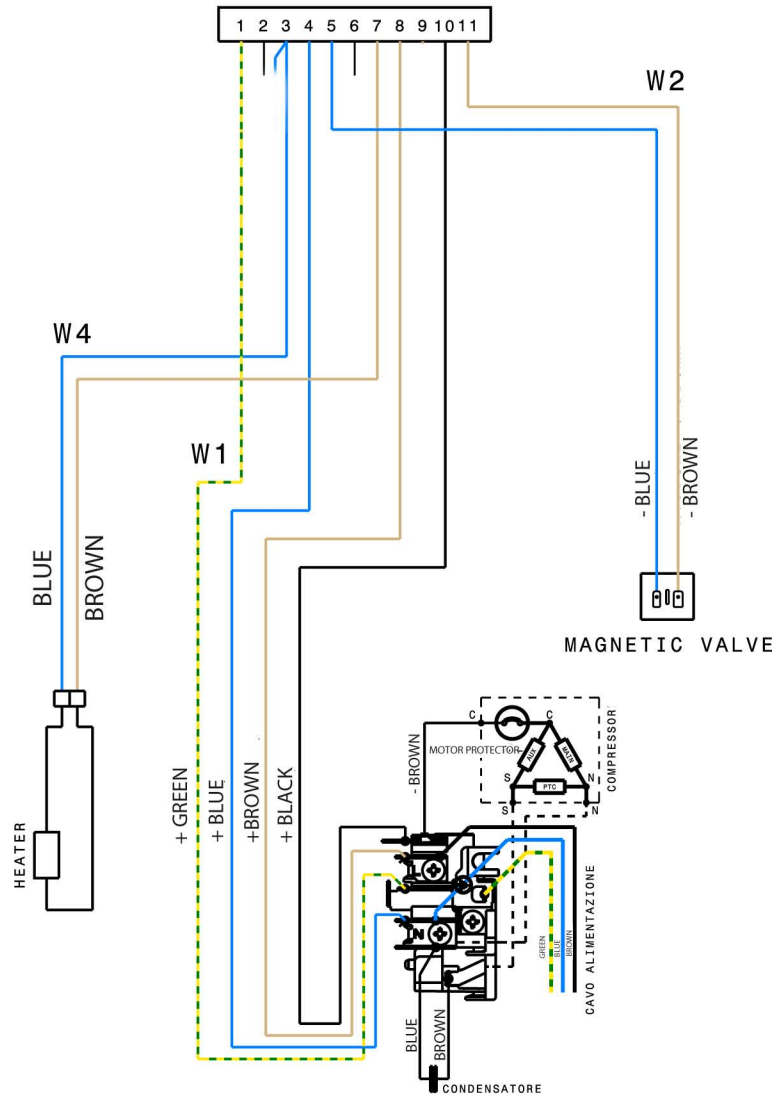


ERF 2002 POWER BOARD

J2



ERF 2002 POWER BOARD

J9

