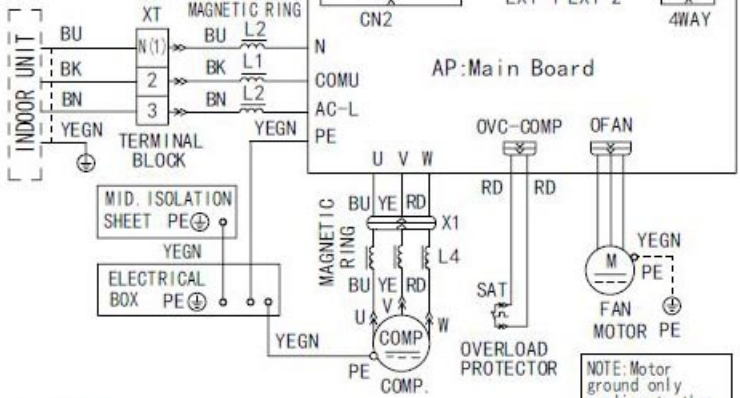


! WARNING

Please don't touch any terminal when the machine is running, stopping or has been powered off for less than 30 minutes to prevent the risk of electric shock!

OUTTUBE TEMP. SENSOR RT1 (20k)
OUTROOM TEMP. SENSOR RT2 (15k)
EXHAUST TEMP. SENSOR RT3 (50k)

REACTOR
MAGNETIC RING BU L BN
L3 L3
4-WAY VALVE
VT VT



NOTE: Motor ground only applies to the iron shell motor.