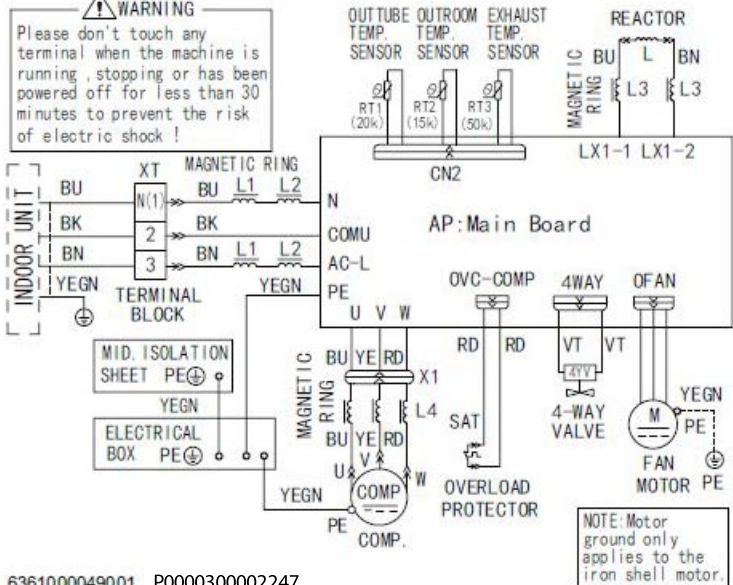


! WARNING

Please don't touch any terminal when the machine is running, stopping or has been powered off for less than 30 minutes to prevent the risk of electric shock!



NOTE: Motor ground only applies to the iron shell motor.