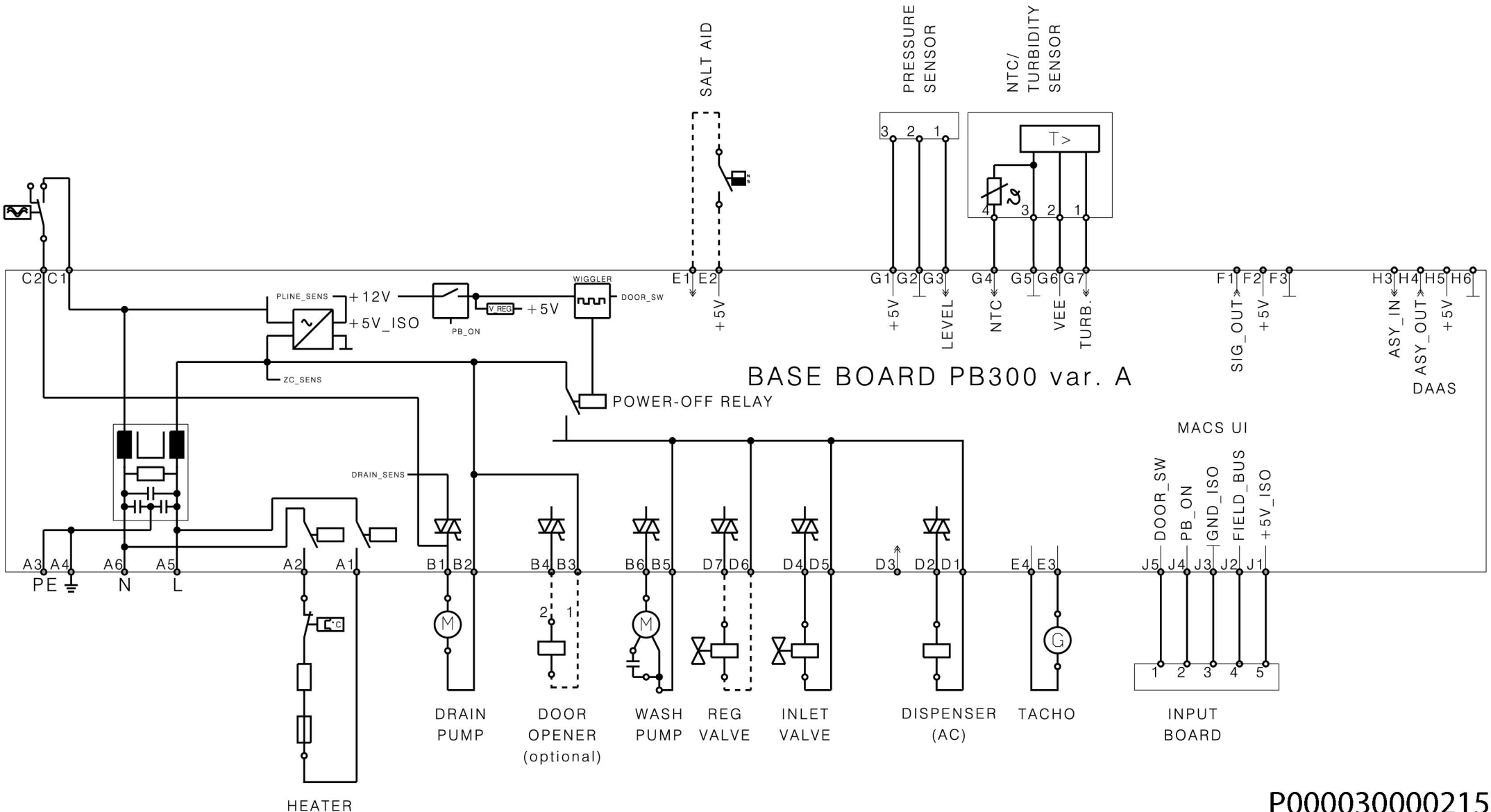


LEAKAGE SWITCH



### BASE BOARD PB300 var. A