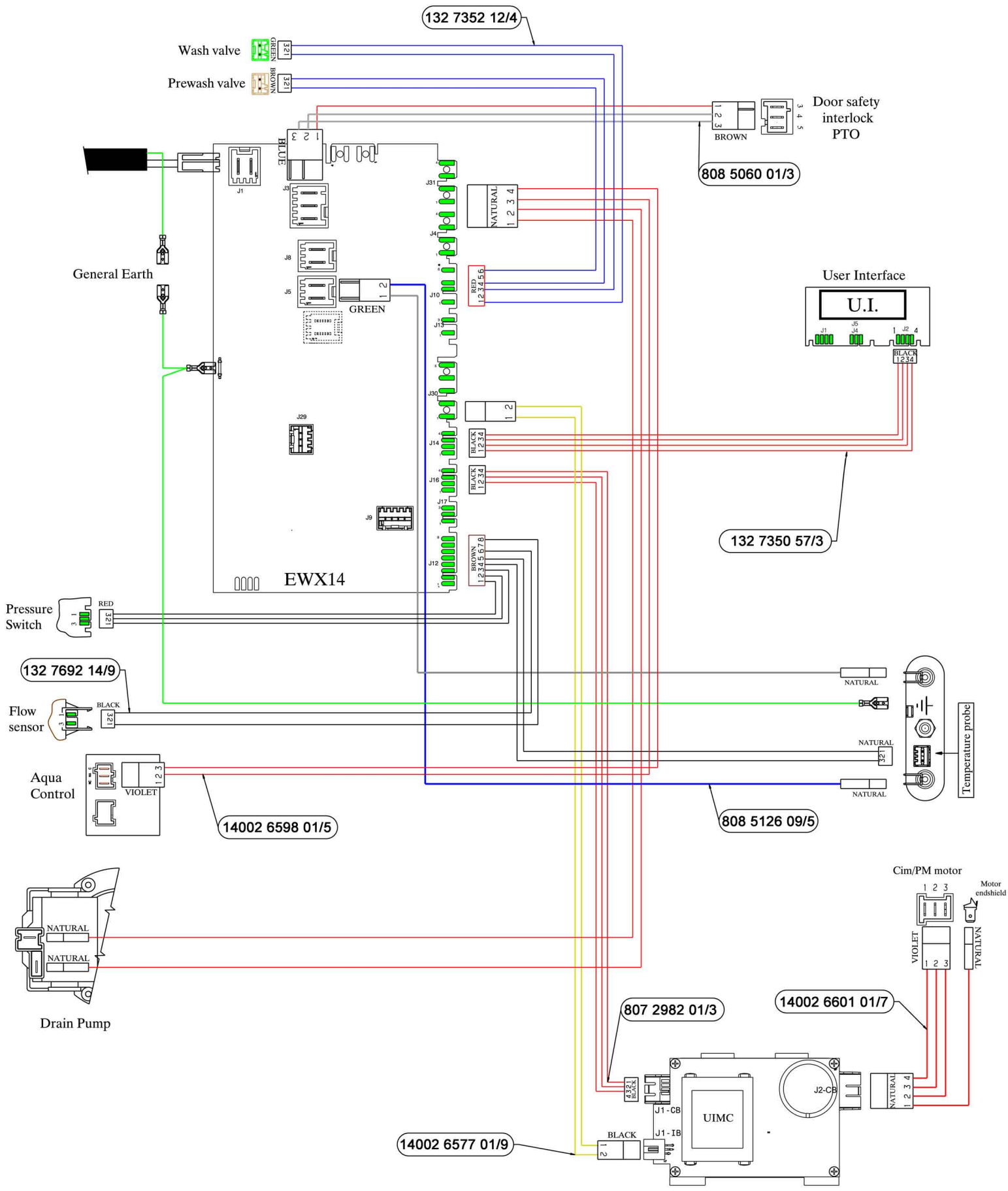


WIRING HARNESSES



132 7352 12/4

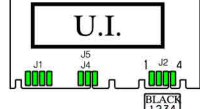
Wash valve
Prewash valve

Door safety
interlock
PTO

808 5060 01/3

General Earth

User Interface



EWX14

132 7350 57/3

Pressure
Switch

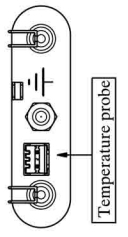
132 7692 14/9

Flow
sensor

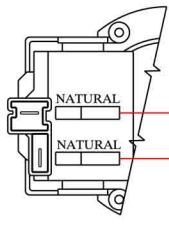
Aqua
Control

14002 6598 01/5

808 5126 09/5

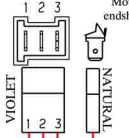


Temperature probe



Drain Pump

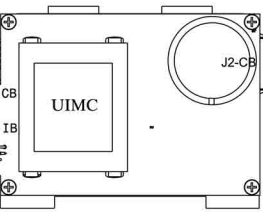
Cim/PM motor



Motor
endshield

807 2982 01/3

14002 6601 01/7



14002 6577 01/9