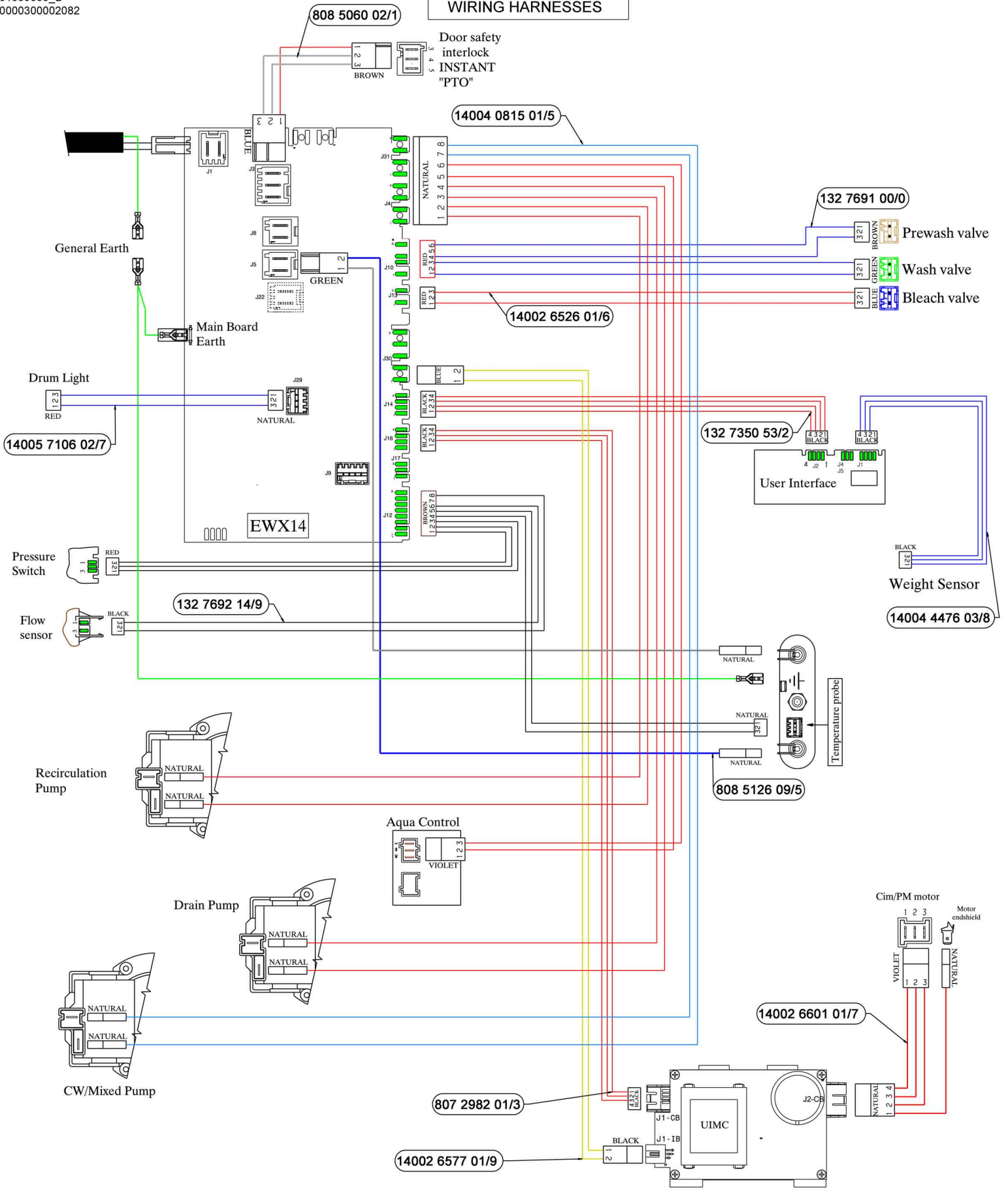


WIRING HARNESSSES



808 5060 02/1

Door safety
interlock
INSTANT
"PTO"

14004 0815 01/5

132 7691 00/0

Prewash valve

Wash valve

Bleach valve

14002 6526 01/6

132 7350 53/2

User Interface

Weight Sensor

14004 4476 03/8

EWX14

132 7692 14/9

808 5126 09/5

Temperature probe

Aqua Control

Cim/PM motor

14002 6601 01/7

807 2982 01/3

14002 6577 01/9

UIMC

General Earth

Main Board Earth

Drum Light

Pressure Switch

Flow sensor

Recirculation Pump

Drain Pump

CW/Mixed Pump

Motor
endshield