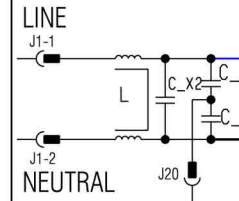
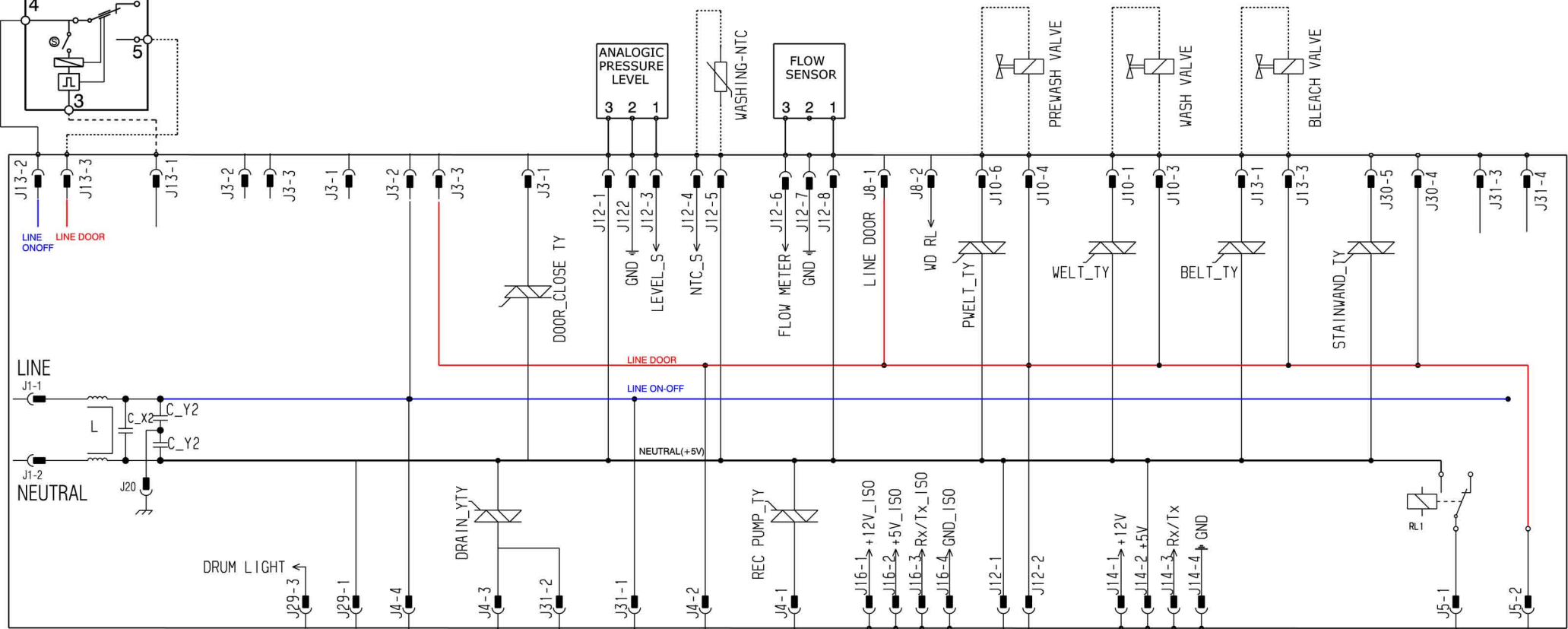
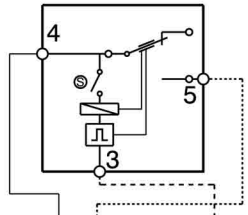


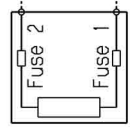
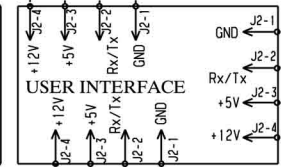
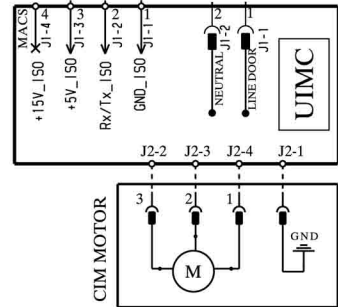
INSTANT DOOR LOCK PTO



DRUM LIGHT

DRAIN PUMP

ACQUA CONTROL



HEATING ELEMENT WASH

ELECTRIC DIAGRAM EWX14